



Message Implementation Guideline

## DSV INVOIC D96A, standard

based on

### **INVOIC**

Invoice message

### **UN D.96A S3**

Version: INVOIC  
Variant: 1.2  
Issue date: 2011-11-30  
Author: EDI Support SE

1 Message Structure.....	2
2 Branching Diagram .....	3
3 Segments.....	7

## Structure / Table of Contents

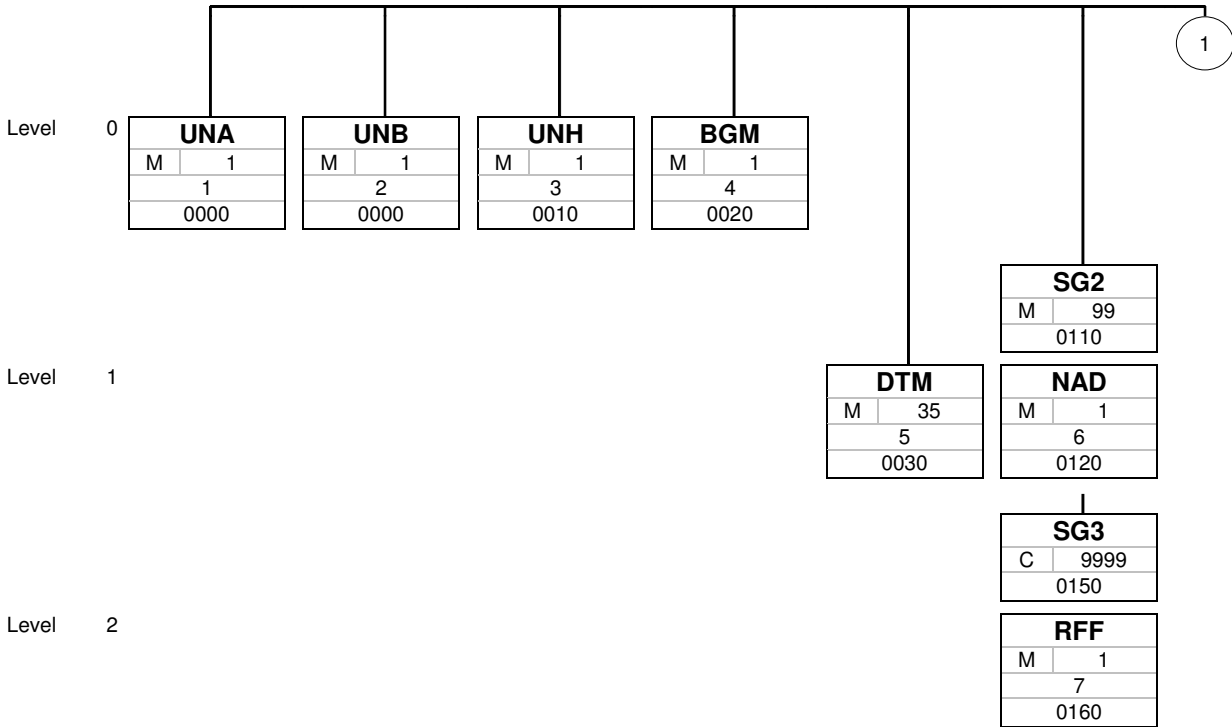
Counter	No	Tag	St	MaxOcc	Level	Content
0000	1	<b>UNA</b>	M	1	0	SERVICE STRING ADVICE
0000	2	<b>UNB</b>	M	1	0	INTERCHANGE HEADER
0010	3	<b>UNH</b>	M	1	0	MESSAGE HEADER
0020	4	<b>BGM</b>	M	1	0	Beginning of message
0030	5	<b>DTM</b>	M	35	1	Date/time/period
0110		<b>SG2</b>	M	99	1	NAD-SG3
0120	6	<b>NAD</b>	M	1	1	Name and address
0150		<b>SG3</b>	C	9999	2	RFF
0160	7	<b>RFF</b>	M	1	2	Reference
0280		<b>SG7</b>	C	5	1	CUX
0290	8	<b>CUX</b>	M	1	1	Currencies
0310		<b>SG8</b>	M	10	1	PAT-DTM
0320	9	<b>PAT</b>	M	1	1	Payment terms basis
0330	10	<b>DTM</b>	M	5	2	Date/time/period
0380		<b>SG9</b>	C	10	1	TDT
0390	11	<b>TDT</b>	M	1	1	Details of transport
0890		<b>SG25</b>	M	9999999	1	LIN-MEA-SG26-SG29-SG30-SG34
0900	12	<b>LIN</b>	M	1	1	Line item
0930	13	<b>MEA</b>	C	5	2	Measurements
1030		<b>SG26</b>	C	5	2	MOA
1040	14	<b>MOA</b>	M	1	2	Monetary amount
1160		<b>SG29</b>	C	10	2	RFF
1170	15	<b>RFF</b>	M	1	2	Reference
1190		<b>SG30</b>	C	10	2	PAC
1200	16	<b>PAC</b>	M	1	2	Package
1350		<b>SG34</b>	C	20	2	NAD
1360	17	<b>NAD</b>	M	1	2	Name and address
1790	18	<b>UNS</b>	M	1	0	SECTION CONTROL
1810		<b>SG48</b>	M	100	1	MOA
1820	19	<b>MOA</b>	M	1	1	Monetary amount
1860		<b>SG50</b>	M	10	1	TAX-MOA
1870	20	<b>TAX</b>	M	1	1	Duty/tax/fee details
1880	21	<b>MOA</b>	C	2	2	Monetary amount
1930	22	<b>UNT</b>	M	1	0	MESSAGE TRAILER
0000	23	<b>UNZ</b>	M	1	0	INTERCHANGE TRAILER

Counter = Counter of segment/group within the standard  
 No = Consecutive segment number  
 MaxOcc = Maximum occurrence of the segment/group

St = Status  
 EDIFACT: M=Mandatory, C=Conditional  
 User specific: R=Required, O=Optional, D=Dependent,  
 A=Advised, N=Not used

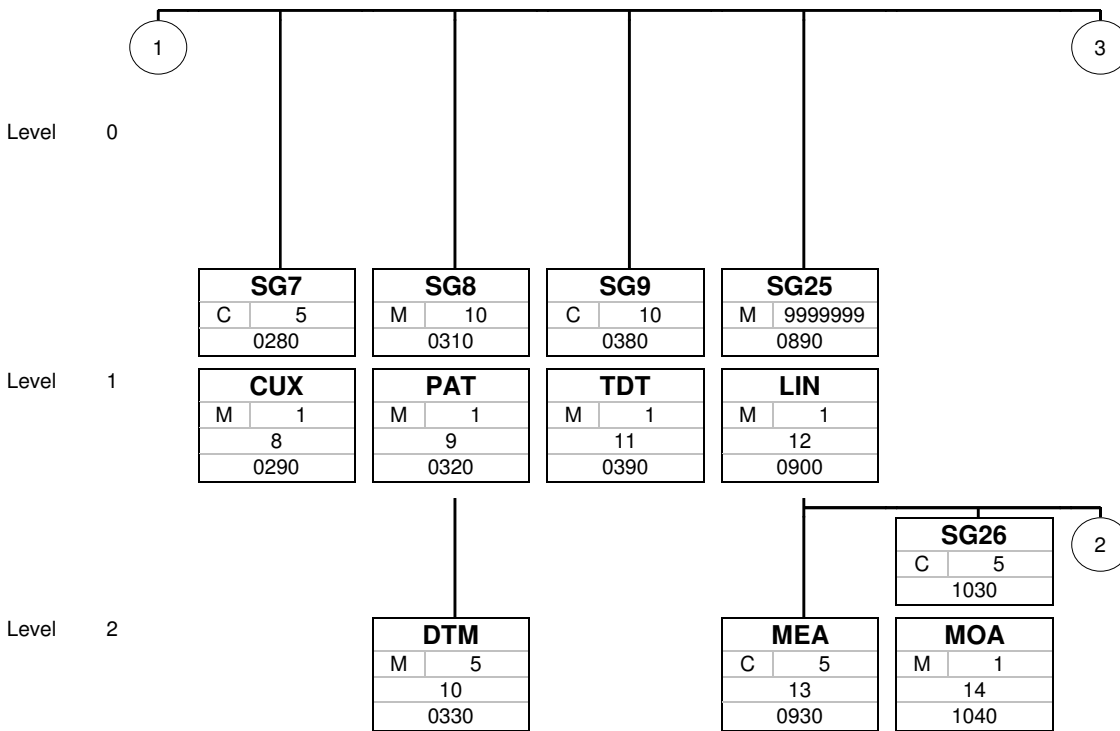


**Branching Diagram of Used Segments/Groups**



Tag
St MaxOcc
No
Counter

Tag = Segment/Group Tag  
 St = Status (M=Mandatory, C=Conditional, R=Required, O=Optional, A=Advised, D=Dependent)  
 MaxOcc = Maximum occurrence of the segment/group  
 No = Consecutive segment number  
 Counter = Counter of segment/group within the standard



Tag
St MaxOcc
No
Counter

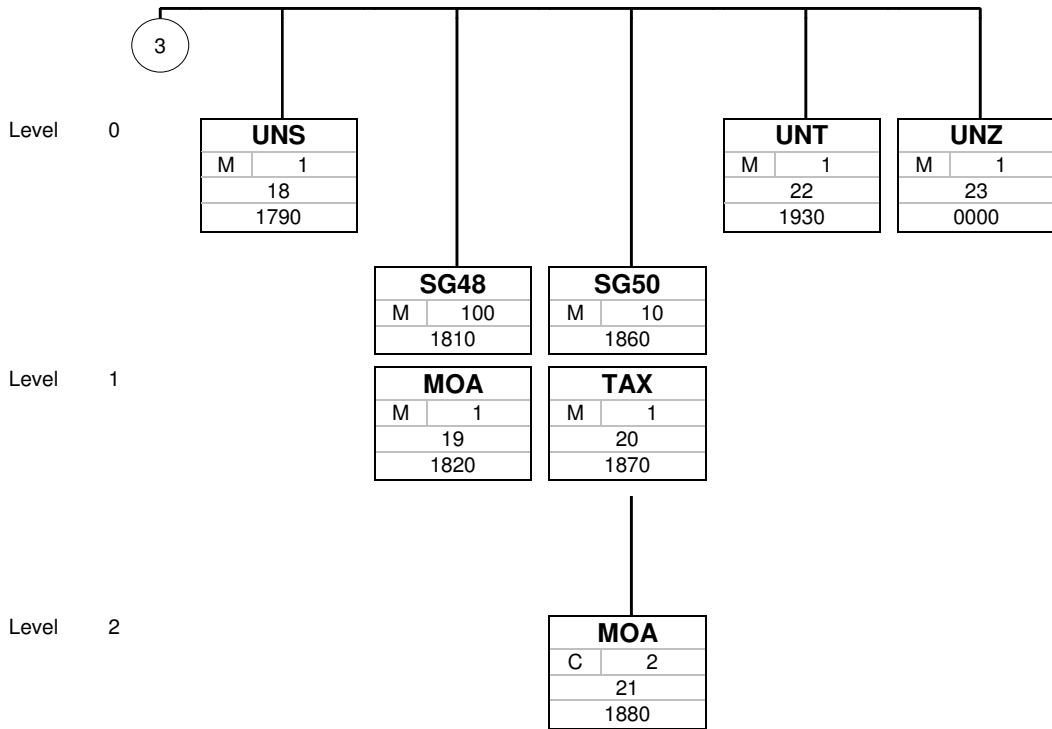
Tag = Segment/Group Tag  
 St = Status (M=Mandatory, C=Conditional, R=Required, O=Optional, A=Advised, D=Dependent)  
 MaxOcc = Maximum occurrence of the segment/group  
 No = Consecutive segment number  
 Counter = Counter of segment/group within the standard



Level 2	2	<b>SG29</b>		<b>SG30</b>		<b>SG34</b>	
		C	10	C	10	C	20
		1160		1190		1350	
		<b>RFF</b>		<b>PAC</b>		<b>NAD</b>	
		M	1	M	1	M	1
		15		16		17	
1170		1200		1360			

Tag
St MaxOcc
No
Counter

Tag = Segment/Group Tag  
 St = Status (M=Mandatory, C=Conditional, R=Required, O=Optional, A=Advised, D=Dependent)  
 MaxOcc = Maximum occurrence of the segment/group  
 No = Consecutive segment number  
 Counter = Counter of segment/group within the standard



Tag
St MaxOcc
No
Counter

Tag = Segment/Group Tag  
 St = Status (M=Mandatory, C=Conditional, R=Required, O=Optional, A=Advised, D=Dependent)  
 MaxOcc = Maximum occurrence of the segment/group  
 No = Consecutive segment number  
 Counter = Counter of segment/group within the standard





Counter	No	Tag	St	MaxOcc	Level	Name
0000	2	<b>UNB</b>	M	1	0	INTERCHANGE HEADER

		Standard	Implementation	
Tag	Name	St Format	St Format	Usage / Remark
UNB				
S001	SYNTAX IDENTIFIER	M	M	
0001	Syntax identifier	M a4	M a4	<b>UNOC UN/ECE level C</b>
0002	Syntax version number	M n1	M n1	<b>3 Syntax version number 3</b>
S002	INTERCHANGE SENDER	M	M	
0004	Sender identification	M an..35	M an..35	
0007	Partner identification code qualifier	C an..4	N	Not used
0008	Address for reverse routing	C an..14	N	Not used
S003	INTERCHANGE RECIPIENT	M	M	
0010	Recipient identification	M an..35	M an..35	
0007	Partner identification code qualifier	C an..4	N	Not used
0014	Routing address	C an..14	N	Not used
S004	DATE/TIME OF PREPARATION	M	M	
0017	Date of preparation	M n6	M n6	
0019	Time of preparation	M n4	M n4	
0020	Interchange control reference	M an..14	M an..14	
S005	RECIPIENT'S REFERENCE PASSWORD	C	N	
0022	Recipient's reference/password	M an..14	N	Not used
0025	Recipient's reference/password qualifier	C an2	N	Not used
0026	Application reference	C an..14	N	Not used
0029	Processing priority code	C a1	N	Not used
0031	Acknowledgement request	C n1	N	Not used
0032	Communications agreement ID	C an..35	N	Not used
0035	Test indicator	C n1	N	Not used

**Remark:**

**Example:**

UNB+UNOC:3+SENDERID+RECEIVERID+110131:2224+JE424423222410'

No = Consecutive segment number  
 MaxOcc = Maximum occurrence of the segment/group  
 Counter = Counter of segment/group within the standard

St = Status  
 EDIFACT: M=Mandatory, C=Conditional  
 User specific: R=Required, O=Optional, D=Dependent, A=Advised, N=Not used





Counter	No	Tag	St	MaxOcc	Level	Name
0010	3	<b>UNH</b>	M	1	0	MESSAGE HEADER

Standard			Implementation	
Tag	Name	St Format	St Format	Usage / Remark
UNH				
0062	Message reference number	M an..14	M an..14	
S009	MESSAGE IDENTIFIER	M	M	
0065	Message type identifier	M an..6	M an..6	<b>INVOIC Invoice message</b>
0052	Message type version number	M an..3	M an..3	<b>D Draft directory</b>
0054	Message type release number	M an..3	M an..3	<b>96A Version 96A</b>
0051	Controlling agency	M an..2	M an..2	<b>UN UN/ECE/TRADE/WP.4, United Nations Standard Messages (UNSM)</b>
0057	Association assigned code	C an..6	N	Not used
0068	Common access reference	C an..35	N	Not used
S010	STATUS OF THE TRANSFER	C	N	
0070	Sequence message transfer number	M n..2	N	Not used
0073	First/last sequence message transfer indication	C a1	N	Not used

**Remark:**

**Example:**

UNH+1+INVOIC:D:96A:UN'

No = Consecutive segment number  
 MaxOcc = Maximum occurrence of the segment/group  
 Counter = Counter of segment/group within the standard

St = Status  
 EDIFACT: M=Mandatory, C=Conditional  
 User specific: R=Required, O=Optional, D=Dependent,  
 A=Advised, N=Not used



Counter	No	Tag	St	MaxOcc	Level	Name
0020	4	<b>BGM</b>	M	1	0	Beginning of message

Standard			Implementation	
Tag	Name	St Format	St Format	Usage / Remark
BGM				
C002	Document/message name	C	C	
1001	Document/message name, coded	C an..3	C an..3	<b>380 Commercial invoice</b> <b>381 Credit note</b>
1131	Code list qualifier	C an..3	N	Not used
3055	Code list responsible agency, coded	C an..3	N	Not used
1000	Document/message name	C an..35	N	Not used
1004	Document/message number	C an..35	C an..35	Invoice number
1225	Message function, coded	C an..3	C an..3	<b>9 Original</b>
4343	Response type, coded	C an..3	N	Not used

**Remark:**

**Example:**

BGM+380+XX123456+9'

No = Consecutive segment number  
 MaxOcc = Maximum occurrence of the segment/group  
 Counter = Counter of segment/group within the standard

St = Status  
 EDIFACT: M=Mandatory, C=Conditional  
 User specific: R=Required, O=Optional, D=Dependent,  
 A=Advised, N=Not used



Counter	No	Tag	St	MaxOcc	Level	Name
0030	5	<b>DTM</b>	M	35	1	Date/time/period

Standard			Implementation	
Tag	Name	St Format	St Format	Usage / Remark
DTM				
C507	Date/time/period	M	M	
2005	Date/time/period qualifier	M an..3	M an..3	<b>3 Invoice date/time</b> <b>137 Document/message date/time</b>
2380	Date/time/period	C an..35	C an..35	
2379	Date/time/period format qualifier	C an..3	C an..3	<b>102 CCYYMMDD</b>

**Remark:**

**Example:**

DTM+137:20110130:102'

No = Consecutive segment number  
 MaxOcc = Maximum occurrence of the segment/group  
 Counter = Counter of segment/group within the standard

St = Status  
 EDIFACT: M=Mandatory, C=Conditional  
 User specific: R=Required, O=Optional, D=Dependent,  
 A=Advised, N=Not used



Counter	No	Tag	St	MaxOcc	Level	Name
0110		<b>SG2</b>	M	99	1	<b>NAD-SG3</b>
0120	6	<b>NAD</b>	M	1	1	<b>Name and address</b>

Standard			Implementation	
Tag	Name	St Format	St Format	Usage / Remark
NAD				
3035	Party qualifier	M an..3	M an..3	<b>II Issuer of invoice</b> <b>IV Invoicee</b>
C082	Party identification details	C	C	
3039	Party id. identification	M an..35	M an..35	
1131	Code list qualifier	C an..3	N	Not used
3055	Code list responsible agency, coded	C an..3	C an..3	<b>87 Assigned by carrier</b> <b>91 Assigned by seller or seller's agent</b>
C058	Name and address	C	N	
3124	Name and address line	M an..35	N	Not used
3124	Name and address line	C an..35	N	Not used
3124	Name and address line	C an..35	N	Not used
3124	Name and address line	C an..35	N	Not used
3124	Name and address line	C an..35	N	Not used
C080	Party name	C	C	
3036	Party name	M an..35	M an..35	Party name
3036	Party name	C an..35	N	Not used
3036	Party name	C an..35	N	Not used
3036	Party name	C an..35	N	Not used
3036	Party name	C an..35	N	Not used
3045	Party name format, coded	C an..3	N	Not used
C059	Street	C	C	
3042	Street and number/p.o. box	M an..35	M an..35	Street and number/p.o. box
3042	Street and number/p.o. box	C an..35	N	Not used
3042	Street and number/p.o. box	C an..35	N	Not used
3042	Street and number/p.o. box	C an..35	N	Not used
3164	City name	C an..35	C an..35	City name
3229	Country sub-entity identification	C an..9	N	Not used
3251	Postcode identification	C an..9	C an..9	Postcode identification
3207	Country, coded	C an..3	C an..3	<b>SE SWEDEN</b> Country, coded

**Remark:**

**Example:**

NAD+IV+99999999::87++TEST CUSTOMER AB+TESTGATAN 1+GÖTEBORG++40121+SE'

No = Consecutive segment number  
 MaxOcc = Maximum occurrence of the segment/group  
 Counter = Counter of segment/group within the standard

St = Status  
 EDIFACT: M=Mandatory, C=Conditional  
 User specific: R=Required, O=Optional, D=Dependent,  
 A=Advised, N=Not used



Counter	No	Tag	St	MaxOcc	Level	Name
0150		<b>SG3</b>	C	9999	2	<b>RFF</b>
0160	7	<b>RFF</b>	M	1	2	<b>Reference</b>

Standard			Implementation	
Tag	Name	St Format	St Format	Usage / Remark
RFF				
C506	Reference	M	M	
1153	Reference qualifier	M an..3	M an..3	<b>VA VAT registration number</b>
1154	Reference number	C an..35	C an..35	Vat registration number fo seller/invoicee
1156	Line number	C an..6	N	Not used
4000	Reference version number	C an..35	N	Not used

**Remark:**

**Example:**

RFF+VA:556241040601'

No = Consecutive segment number  
 MaxOcc = Maximum occurrence of the segment/group  
 Counter = Counter of segment/group within the standard

St = Status  
 EDIFACT: M=Mandatory, C=Conditional  
 User specific: R=Required, O=Optional, D=Dependent,  
 A=Advised, N=Not used



Counter	No	Tag	St	MaxOcc	Level	Name
0280		<b>SG7</b>	C	5	1	<b>CUX</b>
0290	8	<b>CUX</b>	M	1	1	<b>Currencies</b>

Standard			Implementation	
Tag	Name	St Format	St Format	Usage / Remark
CUX				
C504	Currency details	C	C	
6347	Currency details qualifier	M an..3	M an..3	<b>3 Target currency</b>
6345	Currency, coded	C an..3	C an..3	ISO 4217, 3 character alpha code to be used
6343	Currency qualifier	C an..3	C an..3	<b>11 Payment currency</b>
6348	Currency rate base	C n..4	N	Not used
C504	Currency details	C	N	
6347	Currency details qualifier	M an..3	N	Not used
6345	Currency, coded	C an..3	N	Not used
6343	Currency qualifier	C an..3	N	Not used
6348	Currency rate base	C n..4	N	Not used
5402	Rate of exchange	C n..12	N	Not used
6341	Currency market exchange, coded	C an..3	N	Not used

**Remark:**

**Example:**

CUX+3:SEK:11'

No = Consecutive segment number  
 MaxOcc = Maximum occurrence of the segment/group  
 Counter = Counter of segment/group within the standard

St = Status  
 EDIFACT: M=Mandatory, C=Conditional  
 User specific: R=Required, O=Optional, D=Dependent,  
 A=Advised, N=Not used



Counter	No	Tag	St	MaxOcc	Level	Name
0310		<b>SG8</b>	M	10	1	<b>PAT-DTM</b>
0320	9	<b>PAT</b>	M	1	1	<b>Payment terms basis</b>

Standard			Implementation	
Tag	Name	St Format	St Format	Usage / Remark
PAT				
4279	Payment terms type qualifier	M an..3	M an..3	<b>3 Fixed date</b>
C110	Payment terms	C	N	
4277	Terms of payment identification	M an..17	N	Not used
1131	Code list qualifier	C an..3	N	Not used
3055	Code list responsible agency, coded	C an..3	N	Not used
4276	Terms of payment	C an..35	N	Not used
4276	Terms of payment	C an..35	N	Not used
C112	Terms/time information	C	N	
2475	Payment time reference, coded	M an..3	N	Not used
2009	Time relation, coded	C an..3	N	Not used
2151	Type of period, coded	C an..3	N	Not used
2152	Number of periods	C n..3	N	Not used

**Remark:**

**Example:**

PAT+3'

No = Consecutive segment number  
 MaxOcc = Maximum occurrence of the segment/group  
 Counter = Counter of segment/group within the standard

St = Status  
 EDIFACT: M=Mandatory, C=Conditional  
 User specific: R=Required, O=Optional, D=Dependent,  
 A=Advised, N=Not used



Counter	No	Tag	St	MaxOcc	Level	Name
0310		<b>SG8</b>	M	10	1	<b>PAT-DTM</b>
0330	10	<b>DTM</b>	M	5	2	<b>Date/time/period</b>

		Standard	Implementation	
Tag	Name	St Format	St Format	Usage / Remark
DTM				
C507	Date/time/period	M	M	
2005	Date/time/period qualifier	M an..3	M an..3	<b>13 Terms net due date</b>
2380	Date/time/period	C an..35	C an..35	Date for payment
2379	Date/time/period format qualifier	C an..3	C an..3	<b>102 CCYYMMDD</b>

**Remark:**

**Example:**

DTM+13:20110403:102'

No = Consecutive segment number  
 MaxOcc = Maximum occurrence of the segment/group  
 Counter = Counter of segment/group within the standard

St = Status  
 EDIFACT: M=Mandatory, C=Conditional  
 User specific: R=Required, O=Optional, D=Dependent,  
 A=Advised, N=Not used



Counter	No	Tag	St	MaxOcc	Level	Name
0380		<b>SG9</b>	C	10	1	<b>TDT</b>
0390	11	<b>TDT</b>	M	1	1	<b>Details of transport</b>

Standard			Implementation	
Tag	Name	St Format	St Format	Usage / Remark
TDT				
8051	Transport stage qualifier	M an..3	M an..3	<b>20 Main-carriage transport</b>
8028	Conveyance reference number	C an..17	N	Not used
C220	Mode of transport	C	N	Not used
8067	Mode of transport, coded	C an..3	N	Not used
8066	Mode of transport	C an..17	N	Not used
C228	Transport means	C	N	Not used
8179	Type of means of transport identification	C an..8	N	Not used
8178	Type of means of transport	C an..17	N	Not used
C040	Carrier	C	N	Not used
3127	Carrier identification	C an..17	N	Not used
1131	Code list qualifier	C an..3	N	Not used
3055	Code list responsible agency, coded	C an..3	N	Not used
3128	Carrier name	C an..35	N	Not used
8101	Transit direction, coded	C an..3	N	Not used
C401	Excess transportation information	C	N	Not used
8457	Excess transportation reason, coded	M an..3	N	Not used
8459	Excess transportation responsibility, coded	M an..3	N	Not used
7130	Customer authorization number	C an..17	N	Not used
C222	Transport identification	C	N	Not used
8213	Id. of means of transport identification	C an..9	N	Not used
1131	Code list qualifier	C an..3	N	Not used
3055	Code list responsible agency, coded	C an..3	N	Not used
8212	Id. of the means of transport	C an..35	N	Not used
8453	Nationality of means of transport, coded	C an..3	N	Not used
8281	Transport ownership, coded	C an..3	N	Not used

**Remark:****Example:**

TDT+20'

No = Consecutive segment number  
 MaxOcc = Maximum occurrence of the segment/group  
 Counter = Counter of segment/group within the standard

St = Status  
 EDIFACT: M=Mandatory, C=Conditional  
 User specific: R=Required, O=Optional, D=Dependent,  
 A=Advised, N=Not used



Counter	No	Tag	St	MaxOcc	Level	Name
	0890	<b>SG25</b>	M	9999999	1	<b>LIN-MEA-SG26-SG29-SG30-SG34</b>
	0900	<b>LIN</b>	M	1	1	<b>Line item</b>

Standard			Implementation	
Tag	Name	St Format	St Format	Usage / Remark
LIN				
1082	Line item number	C n..6	C n..6	Line number
1229	Action request/notification, coded	C an..3	N	Not used
C212	Item number identification	C	N	
7140	Item number	C an..35	N	Not used
7143	Item number type, coded	C an..3	N	Not used
1131	Code list qualifier	C an..3	N	Not used
3055	Code list responsible agency, coded	C an..3	N	Not used
C829	Sub-line information	C	N	
5495	Sub-line indicator, coded	C an..3	N	Not used
1082	Line item number	C n..6	N	Not used
1222	Configuration level	C n..2	N	Not used
7083	Configuration, coded	C an..3	N	Not used

**Remark:**

**Example:**

LIN+1'

No = Consecutive segment number  
 MaxOcc = Maximum occurrence of the segment/group  
 Counter = Counter of segment/group within the standard

St = Status  
 EDIFACT: M=Mandatory, C=Conditional  
 User specific: R=Required, O=Optional, D=Dependent,  
 A=Advised, N=Not used



Counter	No	Tag	St	MaxOcc	Level	Name
0890		<b>SG25</b>	M	9999999	1	<b>LIN-MEA-SG26-SG29-SG30-SG34</b>
0930	13	<b>MEA</b>	C	5	2	<b>Measurements</b>

Standard			Implementation	
Tag	Name	St Format	St Format	Usage / Remark
MEA				
6311	Measurement application qualifier	M an..3	M an..3	<b>CHW Chargeable weight WT Weights</b>
C502	Measurement details	C	C	
6313	Measurement dimension, coded	C an..3	C an..3	<b>AAD Total gross weight</b>
6321	Measurement significance, coded	C an..3	N	Not used
6155	Measurement attribute, coded	C an..3	N	Not used
6154	Measurement attribute	C an..70	N	Not used
C174	Value/range	C	C	
6411	Measure unit qualifier	M an..3	M an..3	<b>KGM Kilogram *</b>
6314	Measurement value	C n..18	C n..18	Gross weight / Chargeable weight
6162	Range minimum	C n..18	N	Not used
6152	Range maximum	C n..18	N	Not used
6432	Significant digits	C n..2	N	Not used
7383	Surface/layer indicator, coded	C an..3	N	Not used

**Remark:**

**Example:**

MEA+CHW+AAD+KGM: 460'

No = Consecutive segment number  
 MaxOcc = Maximum occurrence of the segment/group  
 Counter = Counter of segment/group within the standard

St = Status  
 EDIFACT: M=Mandatory, C=Conditional  
 User specific: R=Required, O=Optional, D=Dependent,  
 A=Advised, N=Not used



Counter	No	Tag	St	MaxOcc	Level	Name
1030		<b>SG26</b>	C	5	2	<b>MOA</b>
1040	14	<b>MOA</b>	M	1	2	<b>Monetary amount</b>

Standard			Implementation	
Tag	Name	St Format	St Format	Usage / Remark
MOA				
C516	Monetary amount	M	M	
5025	Monetary amount type qualifier	M an..3	M an..3	<b>203 Line item amount</b> <b>125 Taxable amount</b>
5004	Monetary amount	C n..18	C n..18	Amount
6345	Currency, coded	C an..3	C an..3	ISO 4217, character alpha code
6343	Currency qualifier	C an..3	N	Not used
4405	Status, coded	C an..3	N	Not used

**Remark:**

**Example:**

MOA+203:193.99:SEK'

No = Consecutive segment number  
 MaxOcc = Maximum occurrence of the segment/group  
 Counter = Counter of segment/group within the standard

St = Status  
 EDIFACT: M=Mandatory, C=Conditional  
 User specific: R=Required, O=Optional, D=Dependent,  
 A=Advised, N=Not used



Counter No	Tag	St	MaxOcc	Level	Name
1160	<b>SG29</b>	C	10	2	<b>RFF</b>
1170	15 <b>RFF</b>	M	1	2	<b>Reference</b>

Standard			Implementation	
Tag	Name	St Format	St Format	Usage / Remark
RFF				
C506	Reference	M	M	
1153	Reference qualifier	M an..3	M an..3	<b>AAS</b> Transport document number <b>CU</b> Consignor's reference number <b>SRN</b> Shipment reference number <b>AAO</b> Consignee's shipment reference number
1154	Reference number	C an..35	C an..35	
1156	Line number	C an..6	N	Not used
4000	Reference version number	C an..35	N	Not used

**Remark:**

**Example:**

RFF+CU:CUSTOMER REF.'

No = Consecutive segment number  
 MaxOcc = Maximum occurrence of the segment/group  
 Counter = Counter of segment/group within the standard

St = Status  
 EDIFACT: M=Mandatory, C=Conditional  
 User specific: R=Required, O=Optional, D=Dependent,  
 A=Advised, N=Not used

Counter	No	Tag	St	MaxOcc	Level	Name
1190		<b>SG30</b>	C	10	2	<b>PAC</b>
1200	16	<b>PAC</b>	M	1	2	<b>Package</b>

Standard			Implementation	
Tag	Name	St Format	St Format	Usage / Remark
PAC				
7224	Number of packages	C n..8	C n..8	Number of packages
C531	Packaging details	C	N	
7075	Packaging level, coded	C an..3	N	Not used
7233	Packaging related information, coded	C an..3	N	Not used
7073	Packaging terms and conditions, coded	C an..3	N	Not used
C202	Package type	C	C	
7065	Type of packages identification	C an..17	C an..17	UN rec. no 21
1131	Code list qualifier	C an..3	N	Not used
3055	Code list responsible agency, coded	C an..3	N	Not used
7064	Type of packages	C an..35	N	Not used
C402	Package type identification	C	N	
7077	Item description type, coded	M an..3	N	Not used
7064	Type of packages	M an..35	N	Not used
7143	Item number type, coded	C an..3	N	Not used
7064	Type of packages	C an..35	N	Not used
7143	Item number type, coded	C an..3	N	Not used
C532	Returnable package details	C	N	
8395	Returnable package freight payment responsibility, coded	C an..3	N	Not used
8393	Returnable package load contents, coded	C an..3	N	Not used

**Remark:****Example:**

PAC+44++CTN'

No = Consecutive segment number  
 MaxOcc = Maximum occurrence of the segment/group  
 Counter = Counter of segment/group within the standard

St = Status  
 EDIFACT: M=Mandatory, C=Conditional  
 User specific: R=Required, O=Optional, D=Dependent,  
 A=Advised, N=Not used



Counter	No	Tag	St	MaxOcc	Level	Name
1350		<b>SG34</b>	C	20	2	<b>NAD</b>
1360	17	<b>NAD</b>	M	1	2	<b>Name and address</b>

Standard			Implementation	
Tag	Name	St Format	St Format	Usage / Remark
NAD				
3035	Party qualifier	M an..3	M an..3	<b>DP Delivery party</b> <b>SF Ship from</b>
C082	Party identification details	C	N	
3039	Party id. identification	M an..35	N	Not used
1131	Code list qualifier	C an..3	N	Not used
3055	Code list responsible agency, coded	C an..3	N	Not used
C058	Name and address	C	N	
3124	Name and address line	M an..35	N	Not used
3124	Name and address line	C an..35	N	Not used
3124	Name and address line	C an..35	N	Not used
3124	Name and address line	C an..35	N	Not used
3124	Name and address line	C an..35	N	Not used
C080	Party name	C	C	
3036	Party name	M an..35	M an..35	Party name
3036	Party name	C an..35	N	Not used
3036	Party name	C an..35	N	Not used
3036	Party name	C an..35	N	Not used
3036	Party name	C an..35	N	Not used
3045	Party name format, coded	C an..3	N	Not used
C059	Street	C	C	
3042	Street and number/p.o. box	M an..35	M an..35	Street and number
3042	Street and number/p.o. box	C an..35	N	Not used
3042	Street and number/p.o. box	C an..35	N	Not used
3042	Street and number/p.o. box	C an..35	N	Not used
3164	City name	C an..35	C an..35	City name
3229	Country sub-entity identification	C an..9	N	Not used
3251	Postcode identification	C an..9	C an..9	Postal code
3207	Country, coded	C an..3	C an..3	Country, coded, ISO 3166

**Remark:**

**Example:**

NAD+SF+++TEST SENDER AB+BJURÖGATAN+MALMÖ++20211+SE'

No = Consecutive segment number  
 MaxOcc = Maximum occurrence of the segment/group  
 Counter = Counter of segment/group within the standard

St = Status  
 EDIFACT: M=Mandatory, C=Conditional  
 User specific: R=Required, O=Optional, D=Dependent,  
 A=Advised, N=Not used



Counter	No	Tag	St	MaxOcc	Level	Name
1790	18	<b>UNS</b>	M	1	0	SECTION CONTROL

		Standard	Implementation	
Tag	Name	St Format	St Format	Usage / Remark
UNS				
0081	Section identification	M a1	M a1	<b>S Detail/summary section separation</b>

**Remark:**

**Example:**

UNS+S'

No = Consecutive segment number  
 MaxOcc = Maximum occurrence of the segment/group  
 Counter = Counter of segment/group within the standard

St = Status  
 EDIFACT: M=Mandatory, C=Conditional  
 User specific: R=Required, O=Optional, D=Dependent,  
 A=Advised, N=Not used





Counter	No	Tag	St	MaxOcc	Level	Name
1810		<b>SG48</b>	M	100	1	<b>MOA</b>
1820	19	<b>MOA</b>	M	1	1	<b>Monetary amount</b>

Standard			Implementation	
Tag	Name	St Format	St Format	Usage / Remark
MOA				
C516	Monetary amount	M	M	
5025	Monetary amount type qualifier	M an..3	M an..3	<b>86 Message total monetary amount</b> <b>125 Taxable amount</b> <b>128 Total amount</b>
5004	Monetary amount	C n..18	C n..18	
6345	Currency, coded	C an..3	C an..3	ISO 4217, 3 character alpha code to be used
6343	Currency qualifier	C an..3	N	Not used
4405	Status, coded	C an..3	N	Not used

**Remark:**

**Example:**

MOA+86:1509880.8:SEK'

No = Consecutive segment number  
 MaxOcc = Maximum occurrence of the segment/group  
 Counter = Counter of segment/group within the standard

St = Status  
 EDIFACT: M=Mandatory, C=Conditional  
 User specific: R=Required, O=Optional, D=Dependent,  
 A=Advised, N=Not used



Counter	No	Tag	St	MaxOcc	Level	Name
1860		<b>SG50</b>	M	10	1	<b>TAX-MOA</b>
1870	20	<b>TAX</b>	M	1	1	<b>Duty/tax/fee details</b>

Standard			Implementation	
Tag	Name	St Format	St Format	Usage / Remark
TAX				
5283	Duty/tax/fee function qualifier	M an..3	M an..3	<b>7 Tax</b>
C241	Duty/tax/fee type	C	C	
5153	Duty/tax/fee type, coded	C an..3	C an..3	<b>VAT Value added tax</b>
1131	Code list qualifier	C an..3	N	Not used
3055	Code list responsible agency, coded	C an..3	N	Not used
5152	Duty/tax/fee type	C an..35	N	Not used
C533	Duty/tax/fee account detail	C	N	
5289	Duty/tax/fee account identification	M an..6	N	Not used
1131	Code list qualifier	C an..3	N	Not used
3055	Code list responsible agency, coded	C an..3	N	Not used
5286	Duty/tax/fee assessment basis	C an..15	N	Not used
C243	Duty/tax/fee detail	C	N	
5279	Duty/tax/fee rate identification	C an..7	N	Not used
1131	Code list qualifier	C an..3	N	Not used
3055	Code list responsible agency, coded	C an..3	N	Not used
5278	Duty/tax/fee rate	C an..17	N	Not used
5273	Duty/tax/fee rate basis identification	C an..12	N	Not used
1131	Code list qualifier	C an..3	N	Not used
3055	Code list responsible agency, coded	C an..3	N	Not used
5305	Duty/tax/fee category, coded	C an..3	N	Not used
3446	Party tax identification number	C an..20	N	Not used

**Remark:**

**Example:**

TAX+7+VAT '

No = Consecutive segment number  
 MaxOcc = Maximum occurrence of the segment/group  
 Counter = Counter of segment/group within the standard

St = Status  
 EDIFACT: M=Mandatory, C=Conditional  
 User specific: R=Required, O=Optional, D=Dependent,  
 A=Advised, N=Not used



Counter	No	Tag	St	MaxOcc	Level	Name
1860		<b>SG50</b>	M	10	1	<b>TAX-MOA</b>
1880	21	<b>MOA</b>	C	2	2	<b>Monetary amount</b>

Standard			Implementation	
Tag	Name	St Format	St Format	Usage / Remark
MOA				
C516	Monetary amount	M	M	
5025	Monetary amount type qualifier	M an..3	M an..3	<b>176 Message total duty/tax/fee amount</b> ISO 4217, character to be used
5004	Monetary amount	C n..18	C n..18	
6345	Currency, coded	C an..3	C an..3	ISO 4217, character to be used
6343	Currency qualifier	C an..3	N	Not used
4405	Status, coded	C an..3	N	Not used

**Remark:**

**Example:**

MOA+176:4000:SEK'

No = Consecutive segment number  
 MaxOcc = Maximum occurrence of the segment/group  
 Counter = Counter of segment/group within the standard

St = Status  
 EDIFACT: M=Mandatory, C=Conditional  
 User specific: R=Required, O=Optional, D=Dependent,  
 A=Advised, N=Not used



Counter	No	Tag	St	MaxOcc	Level	Name
1930	22	<b>UNT</b>	M	1	0	MESSAGE TRAILER

Standard			Implementation	
Tag	Name	St Format	St Format	Usage / Remark
UNT				
0074	Number of segments in a message	M n..6	M n..6	
0062	Message reference number	M an..14	M an..14	

**Remark:**

**Example:**

UNT+82536+1'

No = Consecutive segment number  
 MaxOcc = Maximum occurrence of the segment/group  
 Counter = Counter of segment/group within the standard

St = Status  
 EDIFACT: M=Mandatory, C=Conditional  
 User specific: R=Required, O=Optional, D=Dependent,  
 A=Advised, N=Not used



Counter	No	Tag	St	MaxOcc	Level	Name
0000	23	<b>UNZ</b>	M	1	0	INTERCHANGE TRAILER

		Standard	Implementation	
Tag	Name	St Format	St Format	Usage / Remark
UNZ				
0036	Interchange control count	M n..6	M n..6	
0020	Interchange control reference	M an..14	M an..14	

**Remark:**

**Example:**

UNZ+1+JE424423222410'

No = Consecutive segment number  
 MaxOcc = Maximum occurrence of the segment/group  
 Counter = Counter of segment/group within the standard

St = Status  
 EDIFACT: M=Mandatory, C=Conditional  
 User specific: R=Required, O=Optional, D=Dependent,  
 A=Advised, N=Not used