



Message Implementation Guideline

DSV IFTMIN S93A

based on

IFTMIN

Instruction message

UN S.93A S3

Version: 4.0
Variant: rev 1.3
Issue date: 2019-01-09
Author: EDI Support SE

1 Message Structure	6
2 Branching Diagram	8
3 Segments	14



Issued by: DSV Road AB
Phone: +46 (0) 418 39 13 70
e-mail: edi.support@se.dsv.com

INTRODUCTION

EDIFACT is the recognized international standard for EDI trading in a wide range of commercial and non-commercial sectors. Its established applications are in store-and-forward “batch” communication of transaction messages of many kinds. EDIFACT begins with an underlying syntax, which is an ISO standard. Within that syntax, there are directories of data elements, composite data elements, segments, and messages; and there are conventions for placing messages in an “envelope” which identifies the sender and receiver and other attributes of a transmission.

The EDIFACT message itself does not define the medium by which the message is sent, or the protocols which are used in any particular form of communication. Please note that all communications is ordered via our homepage <http://www.se.dsv.com/services-and-downloads/dsv-e-tjanster/bestall-e-tjanster/EDI-kommunikation> .

Structure of an interchange

An EDIFACT transmission or interchange is opened and closed by a number of mandatory or conditional *service segments*, which constitute the “envelope” for the transmission as a whole and for messages within it. Inside this envelope, each message is made up of *user segments*. Both service segments and user segments begin with a three-letter identifier, and end with a segment separator.

The structure is organised on three levels: interchange, group, and message. However, DSV normally do only use two, interchange and message. An interchange begins with a UNA or UNB segment and ends with a UNZ segment. A message begins with a UNH segment and ends with a UNT segment.

Character sets

EDIFACT standards define a number of character sets, coded in the UNB segment at the beginning of each interchange as UNOA, UNOB, UNOC, etc. UNOA and UNOB correspond to the basic ASCII character sets of ISO 646 and ISO 6937. UNOC to UNOF correspond to the alphabets defined in Parts 1, 2, 5 and 7 of ISO 8859. We ask you to normally use UNOC for our Swedish production which supports Swedish letters such as “Å, Ä, Ö” in version 3.



Issued by: DSV Road AB
Phone: +46 (0) 418 39 13 70
e-mail: edi.support@se.dsv.com

Change history of IFTMIN (external version 4.0 rev 1.3):

- Header/TSR updated
- SG1/LOC new segment added
- SG3/RFF updated
- SG16/GID
- SG16/HAN deleted

Change history of IFTMIN (external version 4.0 rev 1.1):

- SG8/LOC/1131 and 3055 code adjusted
- File examples are adjusted
- SG16/FTX is updated with new Status (M to R)
- SG19/MEA is updated with new Status (M to R)
- SG29/DGS is updated with new MaxRep
- SG34/EGD is updated with new MaxRep.

Change history of IFTMIN (external version 4.0 rev 1.0):

- New TSR codes are added (new additional services for domestic product)
- Examples are updated
- Some element are updated with new format requirement
- Several segments are updated with new Status (mostly M to R)

Example of message (domestic shipment)



UNA:+.? '
UNB+UNOC:3+SENDERID+RECEIVERID+150101:1135+132453'
UNH+MSGID1+IFTMIN:S:93A:UN:NIG001'
BGM+700+6332177135+9'
DTM+137:20150101:102'
DTM+234:201501011000:203'
TSR++3+3'
TSR++90'
FTX+SIC+++Pickup instructions'
FTX+BLR+++Delivery instructions on document'
FTX+CLR+++Delivery instructions'
CNT+11:1:PCE'
CNT+7:100:KGM'
CNT+15:0.54:MTQ
RFF+AAS:6332177135'
RFF+CU:Senders reference'
RFF+AAO:Receivers reference'
CPI+++P'
TDT+20++3'
LOC+5+20212:16::Malmö'
LOC+8+37230:16::Ronneby'
NAD+CZ+12345678::87++Test Sender Company AB+Bjurögatan 15+Malmö++202 11+SE'
CTA+IC+:Anders Andersson'
COM+070123456:TE'
COM+notuse@se.dsv.com:EM'
NAD+PW+++Test Pickup Company AB+Aspögatan 2+Malmö++202 12+SE'
NAD+CN+++Test Consignee AB+Testgatan 1+Karlshamn++371 47+SE'
NAD+DP+++Test Delivery AB+Testgatan 2+Ronneby++372 30+SE'
NAD+NI+++Test Notify Company AB+Testgatan 2+Ronneby++372 30+SE'
CTA+IC+:Anders Andersson'
COM+070123456:TE'
GID+1+1:Z01'
RNG+1+CEL:10:25'
FTX+AAA+++Elektronik'
MEA+WT+G+KGM:100'
MEA+VOL++MTQ:0.54
PCI+18+373323991863119097'
DGS+ADR+1.1+1010++II'
FTX+AAD+++TEST'
EQD+EFP'
EQN+1'
UNT+40+MSGID1'
UNZ+1+132453'



Example of message (international shipment)

UNA:+.? '
UNB+UNOC:3+SENDERID+RECEIVERID+150101:1135+132453'
UNH+MSGID1+IFTMIN:S:93A:UN:NIG001'
BGM+610+6332177135+9'
DTM+137:20150101:102'
DTM+234:201501011000:203'
TSR++3+3'
FTX+SIC+++Pickup instructions'
FTX+BLR+++Delivery instructions on document'
FTX+CLR+++Delivery instructions'
CNT+11:1:PCE'
CNT+7:100:KGM'
CNT+ZLM:0.4:MTR'
TOD+6++DAP'
LOC+1+:::Brondby'
RFF+AAS:6332177135'
RFF+CU:Sender reference'
RFF+AAO:Receivers reference'
TDT+20++3'
LOC+5+20212:16::Malmö'
LOC+8+2630:16::Taastrup'
NAD+CZ+12345678::87++Test Sender Company AB+Bjurögatan 15+Malmö++202 11+SE'
CTA+IC+:Anders Andersson'
COM+070123456:TE'
COM+notuse@se.dsv.com:EM'
NAD+PW+++Test PickupCompany AB+Aspögatan 2+Malmö++202 12+SE'
NAD+CN+++Test Consignee AB+Teststreet 1+Brondby++2605+DK'
CTA+IC+:Anders Andersson'
COM+0701234872:TE'
COM+notuse2@se.dsv.com:EM'
NAD+DP+++Test Delivery AB+Teststreet 2+Taastrup++2630+DK'
GID+1+1:Z01'
RNG+1+CEL:10:25'
FTX+AAA+++Elektronik'
MEA+WT+G+KGM:100'
MEA+LMT++MTR:0.4'
PCI+18+373323991863119097'
DGS+ADR+1.1+1010'
FTX+AAD+++TEST'
UNT+38+MSGID1'
UNZ+1+132453'



Structure / Table of Contents

Counter	No	Tag	St	MaxOcc	Level	Content
0000	1	UNA	R	1	0	SERVICE STRING ADVICE
0000	2	UNB	M	1	0	INTERCHANGE HEADER
0010	3	UNH	M	1	0	MESSAGE HEADER
0020	4	BGM	M	1	0	BEGINNING OF MESSAGE
0050	5	DTM	M	3	1	DATE/TIME/PERIOD
0060	6	TSR	M	1	1	TRANSPORT SERVICE REQUIREMENTS
0080	8	MOA	C	1	1	MONETARY AMOUNT
0090	9	FTX	C	2	1	FREE TEXT
0100	11	CNT	M	5	1	CONTROL TOTAL
0110		SG1	C	99	1	LOC
0120	12	LOC	M	1	1	PLACE/LOCATION IDENTIFICATION
0140		SG2	C	1	1	TOD-LOC
0150	13	TOD	M	1	1	TERMS OF DELIVERY
0160	14	LOC	C	1	2	PLACE/LOCATION IDENTIFICATION
0170		SG3	M	1	1	RFF
0180	15	RFF	M	1	1	REFERENCE
0250		SG6	C	1	1	CPI
0260	17	CPI	M	1	1	CHARGE PAYMENT INSTRUCTIONS
0400		SG8	M	1	1	TDT-LOC
0410	18	TDT	M	1	1	DETAILS OF TRANSPORT
0440	19	LOC	R	2	2	PLACE/LOCATION IDENTIFICATION
0480		SG10	M	1	1	NAD-SG11-SG14
0490	20	NAD	M	1	1	NAME AND ADDRESS
0520		SG11	C	1	2	CTA-COM
0530	21	CTA	M	1	2	CONTACT INFORMATION
0540	22	COM	M	2	3	COMMUNICATION CONTACT
0650		SG14	C	1	2	RFF
0660	23	RFF	M	1	2	REFERENCE
0730		SG16	C	999	1	GID-RNG-LOC-MOA-FTX-SG19-SG20-SG22-SG29
0740	38	GID	R	1	1	GOODS ITEM DETAILS
0770	39	RNG	C	1	2	RANGE DETAILS
0790	40	LOC	C	1	2	PLACE/LOCATION IDENTIFICATION
0800	41	MOA	C	1	2	MONETARY AMOUNT
0820	42	FTX	R	1	2	FREE TEXT
0890		SG19	R	4	2	MEA
0900	43	MEA	M	4	2	MEASUREMENTS
0920		SG20	C	1	2	DIM
0930	44	DIM	M	1	2	DIMENSIONS

Counter = Counter of segment/group within the standard
 No = Consecutive segment number
 MaxOcc = Maximum occurrence of the segment/group

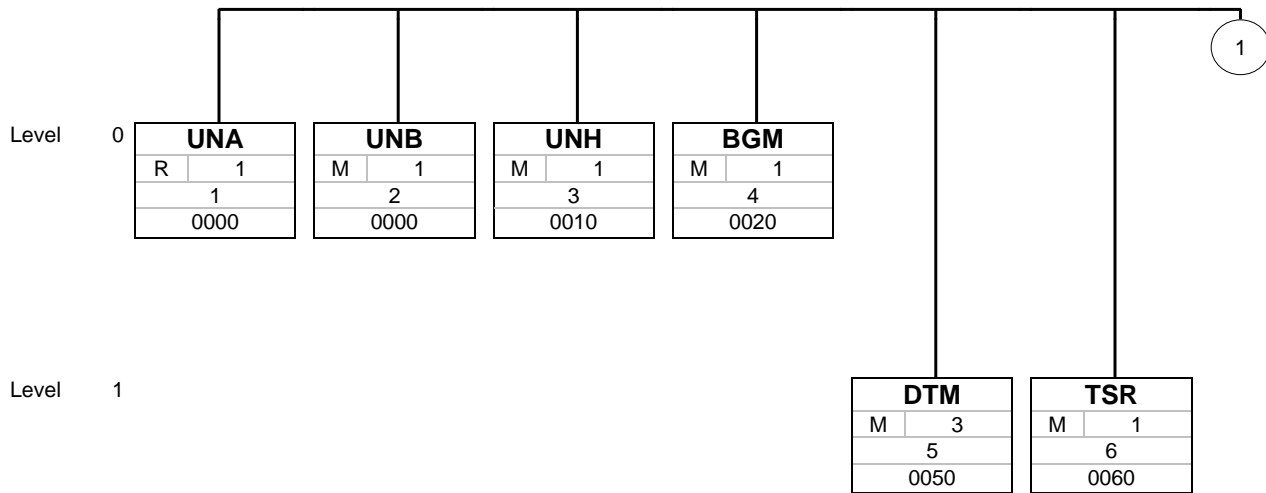
St = Status
 EDIFACT: M=Mandatory, C=Conditional
 User specific: R=Required, O=Optional, D=Dependent,
 A=Advised, N=Not used

Counter	No	Tag	St	MaxOcc	Level	Content
0980		SG22	C	9	2	PCI
0990	45	PCI	M	1	2	PACKAGE IDENTIFICATION
1230		SG29	C	1	2	DGS-FTX
1240	46	DGS	M	1	2	DANGEROUS GOODS
1250	47	FTX	R	1	3	FREE TEXT
1370		SG34	C	1	1	EQD-EQN
1380	48	EQD	M	1	1	EQUIPMENT DETAILS
1390	49	EQN	R	1	2	NUMBER OF UNITS
1590	50	UNT	M	1	0	MESSAGE TRAILER
0000	51	UNZ	M	1	0	INTERCHANGE TRAILER

Counter = Counter of segment/group within the standard
 No = Consecutive segment number
 MaxOcc = Maximum occurrence of the segment/group

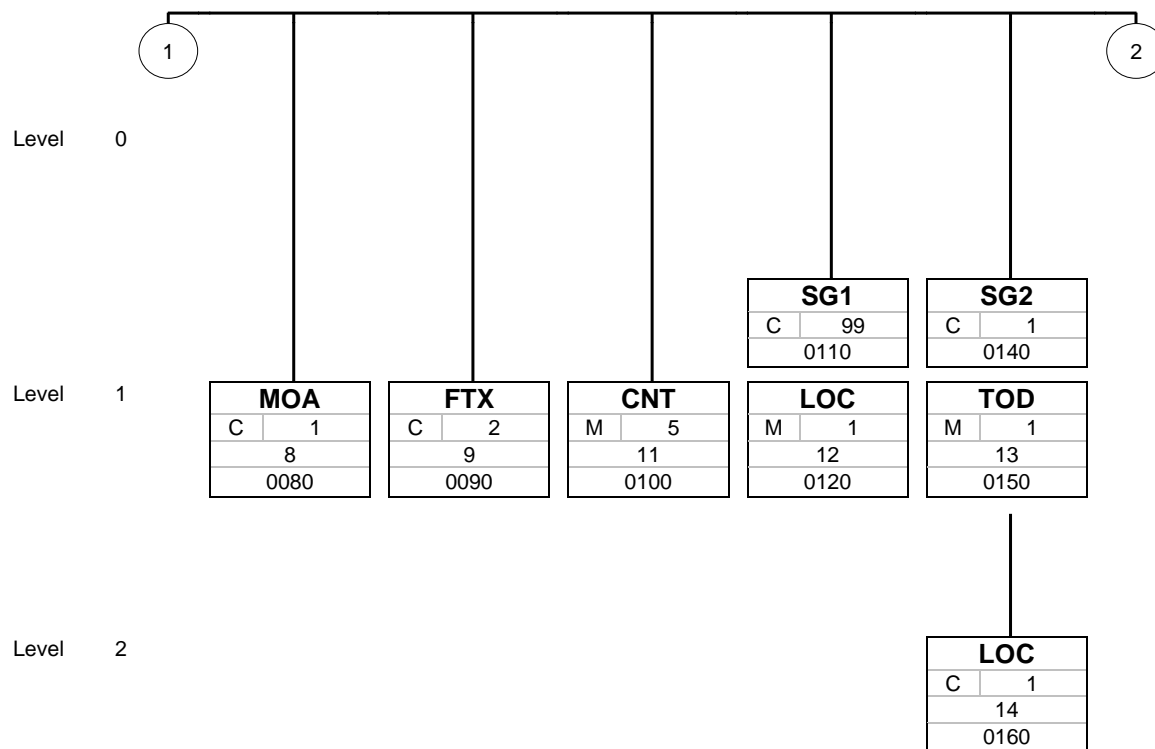
St = Status
 EDIFACT: M=Mandatory, C=Conditional
 User specific: R=Required, O=Optional, D=Dependent,
 A=Advised, N=Not used

Branching Diagram of Used Segments/Groups



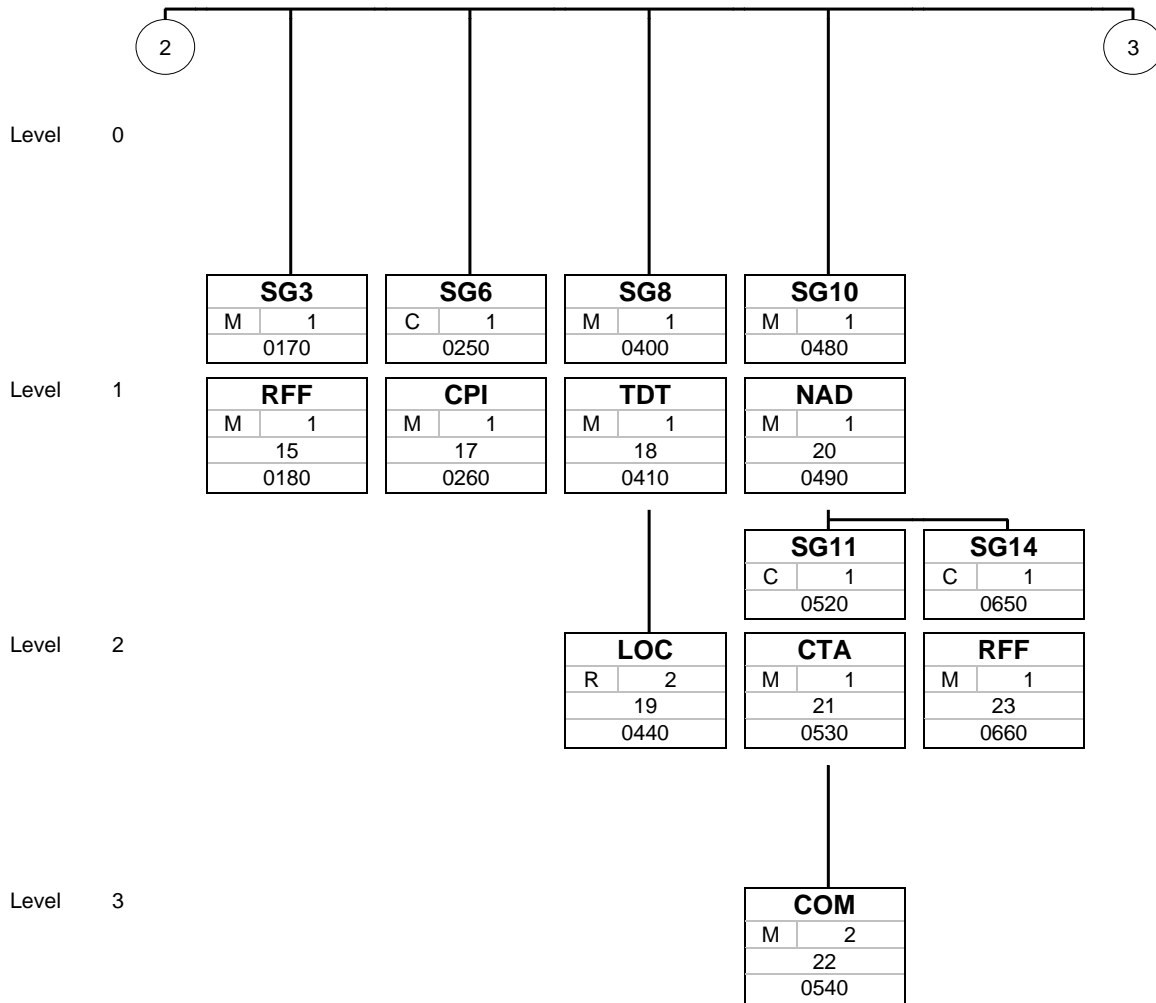
Tag
St MaxOcc
No
Counter

Tag = Segment/Group Tag
 St = Status (M=Mandatory, C=Conditional, R=Required, O=Optional, A=Advised, D=Dependent)
 MaxOcc = Maximum occurrence of the segment/group
 No = Consecutive segment number
 Counter = Counter of segment/group within the standard



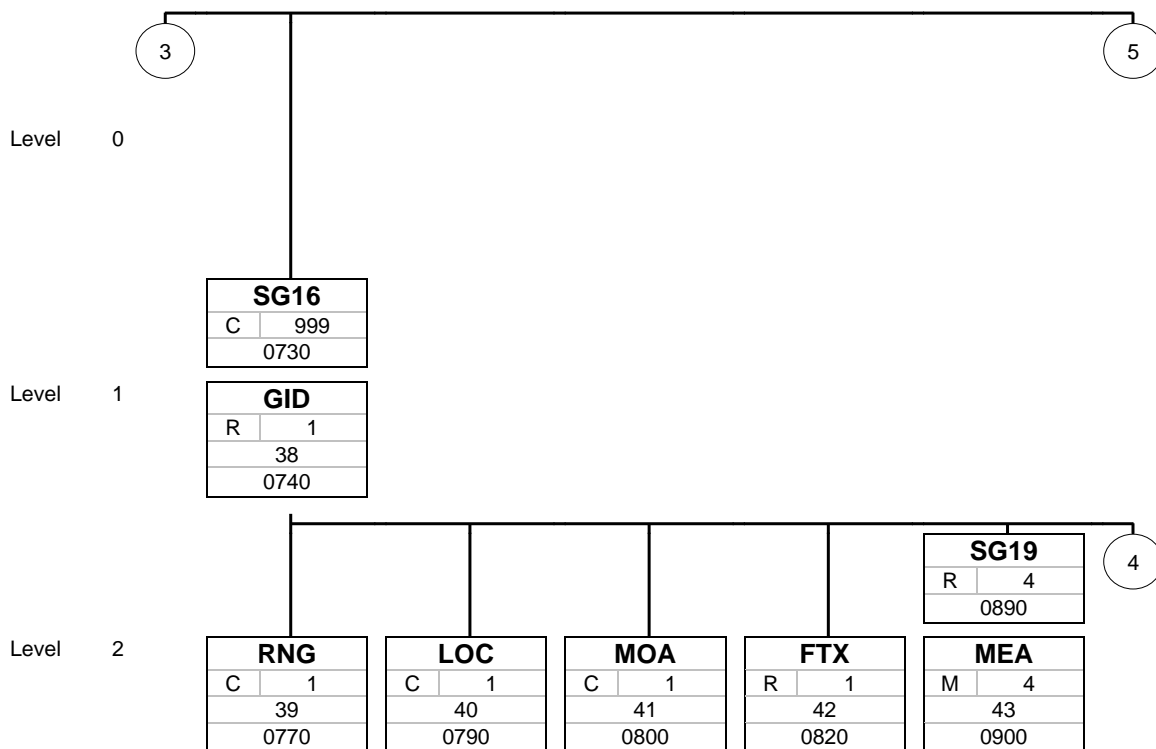
Tag
St MaxOcc
No
Counter

Tag = Segment/Group Tag
 St = Status (M=Mandatory, C=Conditional, R=Required, O=Optional, A=Advised, D=Dependent)
 MaxOcc = Maximum occurrence of the segment/group
 No = Consecutive segment number
 Counter = Counter of segment/group within the standard



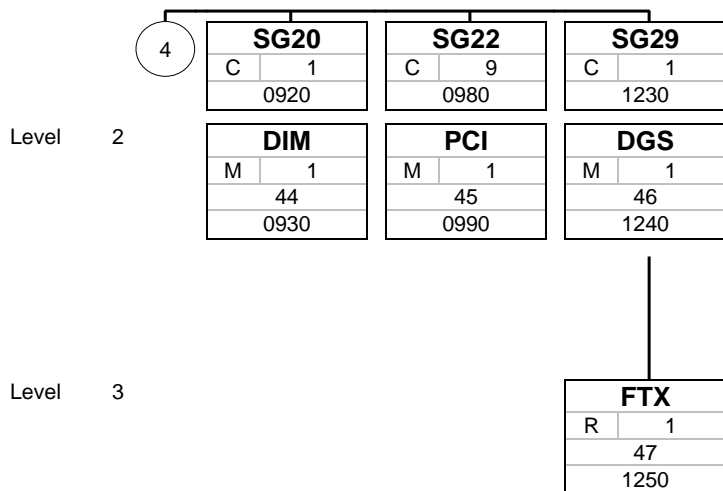
Tag
St MaxOcc
No
Counter

Tag = Segment/Group Tag
 St = Status (M=Mandatory, C=Conditional, R=Required, O=Optional, A=Advised, D=Dependent)
 MaxOcc = Maximum occurrence of the segment/group
 No = Consecutive segment number
 Counter = Counter of segment/group within the standard



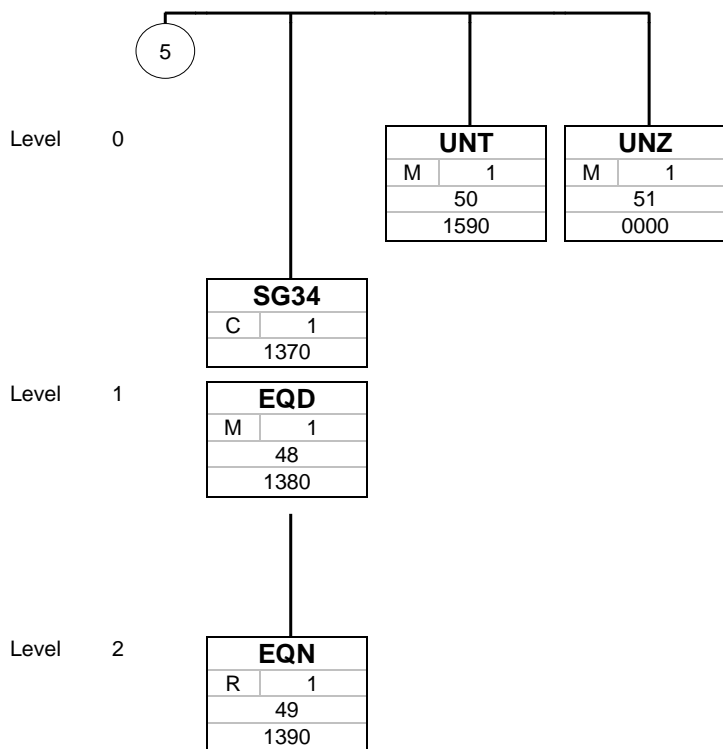
Tag
St MaxOcc
No
Counter

Tag = Segment/Group Tag
 St = Status (M=Mandatory, C=Conditional, R=Required, O=Optional, A=Advised, D=Dependent)
 MaxOcc = Maximum occurrence of the segment/group
 No = Consecutive segment number
 Counter = Counter of segment/group within the standard



Tag
St MaxOcc
No
Counter

Tag = Segment/Group Tag
 St = Status (M=Mandatory, C=Conditional, R=Required, O=Optional, A=Advised, D=Dependent)
 MaxOcc = Maximum occurrence of the segment/group
 No = Consecutive segment number
 Counter = Counter of segment/group within the standard



Tag	
St	MaxOcc
No	
Counter	

Tag = Segment/Group Tag
 St = Status (M=Mandatory, C=Conditional, R=Required, O=Optional, A=Advised, D=Dependent)
 MaxOcc = Maximum occurrence of the segment/group
 No = Consecutive segment number
 Counter = Counter of segment/group within the standard



Segments

Counter	No	Tag	St	MaxOcc	Level	Name
---------	----	-----	----	--------	-------	------

0000 1 **UNA** R 1 0 SERVICE STRING ADVICE

Standard			Implementation	
Tag	Name	St Format	St Format	Usage / Remark
UNA				
UNA1	Component data element separator	M an1	M an1	: Component data element separator
UNA2	Data element separator	M an1	M an1	+ Data element separator
UNA3	Decimal notation	M an1	M an1	. Decimal notation
UNA4	Release indicator	M an1	M an1	? Release indicator
UNA5	Reserved for future use	M an1	M an1	Reserved for future use
UNA6	Segment terminator	M an1	M an1	' Segment terminator

Remark:

Example:

UNA:+.?'

No = Consecutive segment number
 MaxOcc = Maximum occurrence of the segment/group
 Counter = Counter of segment/group within the standard

St = Status
 EDIFACT: M=Mandatory, C=Conditional
 User specific: R=Required, O=Optional, D=Dependent,
 A=Advised, N=Not used



Counter	No	Tag	St	MaxOcc	Level	Name
---------	----	-----	----	--------	-------	------

0000 2 **UNB** M 1 0 INTERCHANGE HEADER

Standard			Implementation	
Tag	Name	St Format	St Format	Usage / Remark
UNB				
S001	SYNTAX IDENTIFIER	M	M	
0001	Syntax identifier	M a4	M a4	Allowed character set = UNOC Character representations = ISO 8859-1 (8-bit ASCII code)
0002	Syntax version number	M n1	M n1	Please use the syntax version no 3
S002	INTERCHANGE SENDER	M	M	
0004	Sender identification	M an..35	M an..35	. Sender ID
0007	Partner identification code qualifier	C an..4	C an..4	. Qualifier
0008	Address for reverse routing	C an..14	N	Not used
S003	INTERCHANGE RECIPIENT	M	M	
0010	Recipient identification	M an..35	M an..35	. Receiver ID DSV addresses to be used: 733180200000801 (for Domestic shipments) 733180200000802 (for International shipments)
0007	Partner identification code qualifier	C an..4	C an..4	. Qualifier
0014	Routing address	C an..14	N	Not used
S004	DATE/TIME OF PREPARATION	M	M	
0017	Date of preparation	M n6	M n6	. Date of preparation
0019	Time of preparation	M n4	M n4	. Time of preparation
0020	Interchange control reference	M an..14	M an..14	. Interchange Control reference
S005	RECIPIENT'S REFERENCE PASSWORD	C	N	
0022	Recipient's reference/password	M an..14	N	Not used
0025	Recipient's reference/password qualifier	C an2	N	Not used
0026	Application reference	C an..14	N	Not used
0029	Processing priority code	C a1	N	Not used
0031	Acknowledgement request	C n1	N	Not used
0032	Communications agreement ID	C an..35	N	Not used
0035	Test indicator	C n1	N	Not used

Remark:

Communication details such as sender and receiver ID is always customer- or setup unique

Example:

UNB+UNOC:3+SENDERID:QUALIFIER+RECEIVERID:QUALIFIER+111220:0825+123456'

No = Consecutive segment number
MaxOcc = Maximum occurrence of the segment/group
Counter = Counter of segment/group within the standard

St = Status
EDIFACT: M=Mandatory, C=Conditional
User specific: R=Required, O=Optional, D=Dependent,
A=Advised, N=Not used



Counter	No	Tag	St	MaxOcc	Level	Name
---------	----	-----	----	--------	-------	------

0010	3	UNH	M	1	0	MESSAGE HEADER
------	---	------------	---	---	---	----------------

Standard			Implementation	
Tag	Name	St Format	St Format	Usage / Remark
UNH				
0062	Message reference number	M an..14	M an..14	. Message reference number
S009	MESSAGE IDENTIFIER	M	M	
0065	Message type identifier	M an..6	M an..6	IFTMIN Instruction message
0052	Message type version number	M an..3	M an..3	S Standard directory
0054	Message type release number	M an..3	M an..3	93A Version 93A
0051	Controlling agency	M an..2	M an..2	UN UN/ECE/TRADE/WP.4, United Nations Standard Messages (UNSM)
0057	Association assigned code	C an..6	C an..6	NIG001
0068	Common access reference	C an..35	N	Not used
S010	STATUS OF THE TRANSFER	C	C	
0070	Sequence message transfer number	M n..2	M n..2	
0073	First/last sequence message transfer indication	C a1	N	Not used

Remark:

Example:

UNH+X+IFTMIN:S:93A:UN:NIG001++9'

No = Consecutive segment number
 MaxOcc = Maximum occurrence of the segment/group
 Counter = Counter of segment/group within the standard

St = Status
 EDIFACT: M=Mandatory, C=Conditional
 User specific: R=Required, O=Optional, D=Dependent,
 A=Advised, N=Not used



Counter	No	Tag	St	MaxOcc	Level	Name
---------	----	-----	----	--------	-------	------

0020 4 **BGM** M 1 0 BEGINNING OF MESSAGE

		Standard	Implementation	
Tag	Name	St Format	St Format	Usage / Remark
BGM				
C002	DOCUMENT/MESSAGE NAME	C	C	
1001	Document/message name, coded	C an..3	M an..3	610 Forwarding instructions (International shipments) 700 Waybill (Domestic shipments)
1131	Code list qualifier	C an..3	N	Not used
3055	Code list responsible agency, coded	C an..3	N	Not used
1000	Document/message name	C an..35	N	Not used
1004	Document/message number	C an..35	M an..35	
1225	Message function, coded	C an..3	M an..3	9 Original
4343	Response type, coded	C an..3	N	Not used

Remark:

SIS waybillnumber are mandatory (other reference type only accepted if agreed upon with DSV EDI Support SE)
The SIS number must be unique for at least 24 months before reuse

Example:

BGM+610+6781708042+9'

No = Consecutive segment number
MaxOcc = Maximum occurrence of the segment/group
Counter = Counter of segment/group within the standard

St = Status
EDIFACT: M=Mandatory, C=Conditional
User specific: R=Required, O=Optional, D=Dependent,
A=Advised, N=Not used



Counter	No	Tag	St	MaxOcc	Level	Name
---------	----	-----	----	--------	-------	------

0050 5 **DTM** M 3 1 DATE/TIME/PERIOD

Standard			Implementation	
Tag	Name	St Format	St Format	Usage / Remark
DTM				
C507	DATE/TIME/PERIOD	M	M	
2005	Date/time/period qualifier	M an..3	M an..3	2 Delivery date/time, requested 137 Document/message date/time 234 Collection date/time, earliest
2380	Date/time/period	C an..35	R an..35	. Date - Time - Period
2379	Date/time/period format qualifier	C an..3	R an..3	102 CCYYMMDD 203 CCYYMMDDHHMM 713 YYMMDDHHMM-YYMMDDHHMM

Remark:
Document/meassage date (DTM+137) are mandatory

Example:
DTM+137:20120225:102'

No = Consecutive segment number
MaxOcc = Maximum occurrence of the segment/group
Counter = Counter of segment/group within the standard

St = Status
EDIFACT: M=Mandatory, C=Conditional
User specific: R=Required, O=Optional, D=Dependent,
A=Advised, N=Not used



Counter	No	Tag	St	MaxOcc	Level	Name
---------	----	-----	----	--------	-------	------

0060 6 **TSR** M 1 1 TRANSPORT SERVICE REQUIREMENTS

Standard			Implementation	
Tag	Name	St Format	St Format	Usage / Remark
TSR				
C536	CONTRACT AND CARRIAGE CONDITION	C	N	
4065	Contract and carriage condition, coded	M an..3	N	Not used
1131	Code list qualifier	C an..3	N	Not used
3055	Code list responsible agency, coded	C an..3	N	Not used
C233	SERVICE	C	R	
7273	Service requirement, coded	M an..3	M an..3	2 Road: Full loads/Partloads 3 Road: Groupage ZOT DSV Daily/Schedule/Express*
1131	Code list qualifier	C an..3	N	Not used
3055	Code list responsible agency, coded	C an..3	N	Not used
7273	Service requirement, coded	C an..3	N	Not used
1131	Code list qualifier	C an..3	N	Not used
3055	Code list responsible agency, coded	C an..3	N	Not used
C537	TRANSPORT PRIORITY	C	C	
4219	Transport priority, coded	M an..3	M an..3	3 Normal speed
1131	Code list qualifier	C an..3	N	Not used
3055	Code list responsible agency, coded	C an..3	N	Not used
C703	NATURE OF CARGO	C	N	
7085	Nature of cargo, coded	M an..3	N	Not used
1131	Code list qualifier	C an..3	N	Not used
3055	Code list responsible agency, coded	C an..3	N	Not used

Remark:

All sub services (codes) are only used in the second occurrence, see tag 7273 on next page.

*Daily/Schedule/Express products are no longer supported for new implementations

Example:

TSR++3+3'

No = Consecutive segment number
 MaxOcc = Maximum occurrence of the segment/group
 Counter = Counter of segment/group within the standard

St = Status
 EDIFACT: M=Mandatory, C=Conditional
 User specific: R=Required, O=Optional, D=Dependent,
 A=Advised, N=Not used



Counter	No	Tag	St	MaxOcc	Level	Name
---------	----	-----	----	--------	-------	------

0060 7 **TSR** C 8 1 TRANSPORT SERVICE REQUIREMENTS

Standard			Implementation	
Tag	Name	St Format	St Format	Usage / Remark
TSR				
C536	CONTRACT AND CARRIAGE CONDITION	C	N	
4065	Contract and carriage condition, coded	M an..3	N	Not used
1131	Code list qualifier	C an..3	N	Not used
3055	Code list responsible agency, coded	C an..3	N	Not used
C233	SERVICE	C	R	
7273	Service requirement, coded	M an..3	M an..3	29 Insurance 52 Notification 90 Before 10 (B10) 201 Personal Delivery Services 202 eParcel 203 ePallet 304 ECO 306 Before 12 (B12) 307 Lift** 308 Return** 309 Installation** 310 Pre-Advice 313 InNight product** 311 Before 7 (B7)** 314 Before 16 (B16) 312 Crane** 313 InNight** 314 Before 16 (B16)** ZSB Daily* ZSG Schedule* ZSR Express* When using ZSB, ZSR or ZSG, use qualifier ZOT in the first TSR occurrence, see TSR/C233/7273
1131	Code list qualifier	C an..3	N	Not used
3055	Code list responsible agency, coded	C an..3	N	Not used
7273	Service requirement, coded	C an..3	C an..1	1 Packed, Crated 2 Unpacked, none crated Only used with insurance service
1131	Code list qualifier	C an..3	N	Not used
3055	Code list responsible agency, coded	C an..3	C an..2	87 Assigned by carrier Only used with insurance service
C537	TRANSPORT PRIORITY	C	N	
4219	Transport priority, coded	M an..3	N	Not used
1131	Code list qualifier	C an..3	N	Not used
3055	Code list responsible agency, coded	C an..3	N	Not used
C703	NATURE OF CARGO	C	C	
7085	Nature of cargo, coded	M an..3	C an..1	1 Ordinary new commercial goods 2 Used trading goods and/or unpacked goods 3 Furniture

No = Consecutive segment number
 MaxOcc = Maximum occurrence of the segment/group
 Counter = Counter of segment/group within the standard

St = Status
 EDIFACT: M=Mandatory, C=Conditional
 User specific: R=Required, O=Optional, D=Dependent,
 A=Advised, N=Not used



		Standard	Implementation	
Tag	Name	St Format	St Format	Usage / Remark
				4 Porcelain, Glass, Light Bulbs, Marble and other fragile goods
				5 Household goods, motor vehicles
				Only used with insurance service
1131	Code list qualifier	C an..3	N	Not used
3055	Code list responsible agency, coded	C an..3	C an..2	87 Assigned by carrier
				Only used with insurance service

Remark:

If Insurance is used, the MOA segment is mandatory (use qualifier 67) which transfer the insured amount

If Notification or Preadvice is used, SG10/NAD+NI/SG11/CTA and COM is mandatory

All sub services (codes) are only used in the second occurrence, see tag C233/7273

*Daily/Schedule/Express products are no longer supported for new implementations

**None standard products/services

Example:

TSR++29:::1::87++1::87'

No = Consecutive segment number
 MaxOcc = Maximum occurrence of the segment/group
 Counter = Counter of segment/group within the standard

St = Status
 EDIFACT: M=Mandatory, C=Conditional
 User specific: R=Required, O=Optional, D=Dependent,
 A=Advised, N=Not used



Counter	No	Tag	St	MaxOcc	Level	Name
---------	----	-----	----	--------	-------	------

0080 8 **MOA** C 1 1 MONETARY AMOUNT

Standard			Implementation	
Tag	Name	St Format	St Format	Usage / Remark
MOA				
C516	MONETARY AMOUNT	M	M	
5025	Monetary amount type qualifier	M an..3	M an..3	67 Insurance
5004	Monetary amount	C n..18	M n..18	. Amount
6345	Currency, coded	C an..3	M an..3	. Currency coded (ISO)
6343	Currency qualifier	C an..3	N	Not used
4405	Status, coded	C an..3	N	Not used

Remark:
MOA segment is used with Insurance service to provide the insurance amount

Example:
MOA+67:1500:SEK'

No = Consecutive segment number
MaxOcc = Maximum occurrence of the segment/group
Counter = Counter of segment/group within the standard

St = Status
EDIFACT: M=Mandatory, C=Conditional
User specific: R=Required, O=Optional, D=Dependent,
A=Advised, N=Not used



Counter	No	Tag	St	MaxOcc	Level	Name
---------	----	-----	----	--------	-------	------

0090 9 **FTX** C 2 1 FREE TEXT

		Standard	Implementation	
Tag	Name	St Format	St Format	Usage / Remark
FTX				
4451	Text subject qualifier	M an..3	M an..3	BLR Transport document remarks CLR Loading remarks
4453	Text function, coded	C an..3	N	Not used
C107	TEXT REFERENCE	C	N	
4441	Free text, coded	M an..3	N	Not used
1131	Code list qualifier	C an..3	N	Not used
3055	Code list responsible agency, coded	C an..3	N	Not used
C108	TEXT LITERAL	C	R	
4440	Free text	M an..70	R an..35	. Free text
4440	Free text	C an..70	C an..35	
4440	Free text	C an..70	N	Not used
4440	Free text	C an..70	N	Not used
4440	Free text	C an..70	N	Not used
3453	Language, coded	C an..3	N	Not used

Remark:

BLR is used for remarks printed on transport documents (always use together with CLR)
 CLR is used for loading remarks (always use together with BLR)

Example:

FTX+BLR+++Unload at gate no 1:Go to reception'
 FTX+CLR+++Unload the goods at gate no 1:Go to reception'

No = Consecutive segment number
 MaxOcc = Maximum occurrence of the segment/group
 Counter = Counter of segment/group within the standard

St = Status
 EDIFACT: M=Mandatory, C=Conditional
 User specific: R=Required, O=Optional, D=Dependent,
 A=Advised, N=Not used



Counter	No	Tag	St	MaxOcc	Level	Name
---------	----	-----	----	--------	-------	------

0090	10	FTX	C	1	1	FREE TEXT
------	----	------------	---	---	---	-----------

		Standard	Implementation	
Tag	Name	St Format	St Format	Usage / Remark
FTX				
4451	Text subject qualifier	M an..3	M an..3	SIC Sender's instruction to carrier
4453	Text function, coded	C an..3	N	Not used
C107	TEXT REFERENCE	C	N	
4441	Free text, coded	M an..3	N	Not used
1131	Code list qualifier	C an..3	N	Not used
3055	Code list responsible agency, coded	C an..3	N	Not used
C108 TEXT LITERAL				
4440	Free text	M an..70	M an..32	. Free text
4440	Free text	C an..70	C an..32	
4440	Free text	C an..70	N	Not used
4440	Free text	C an..70	N	Not used
4440	Free text	C an..70	N	Not used
3453	Language, coded	C an..3	N	Not used

Remark:

SIC is used for instructions to carrier - remarks to driver at pickup

Example:

FTX+SIC+++Load at gate no 1:Document at reception'

No = Consecutive segment number
 MaxOcc = Maximum occurrence of the segment/group
 Counter = Counter of segment/group within the standard

St = Status
 EDIFACT: M=Mandatory, C=Conditional
 User specific: R=Required, O=Optional, D=Dependent,
 A=Advised, N=Not used



Counter	No	Tag	St	MaxOcc	Level	Name
---------	----	-----	----	--------	-------	------

0100 11 **CNT** M 5 1 CONTROL TOTAL

Standard			Implementation	
Tag	Name	St Format	St Format	Usage / Remark
CNT				
C270	CONTROL	M	M	
6069	Control qualifier	M an..3	M an..3	7 Total gross weight 11 Total number of packages 15 Total consignment, cube ZLM Total loadingmeter Z13 EUR Pallet* * = Only to be used according to specific agreement with DSV, contact DSV EDI Support SE
6066	Control value	M n..18	M n..18	. LOADINGMETER . NUMBER OF PACKAGES . NUMBER OF PALLETSPACE . VOLUME . GROSSWEIGHT
6411	Measure unit qualifier	C an..3	R an..3	KGM Kilogram MTQ Cubic meter MTR Loading meters PCE Piece PLL Palletspace* * = Only to be used according to specific agreement with DSV, contact DSV EDI Support SE

Remark:
 Total gross weight (CNT+7) and Total number of packages (CNT+11) are mandatory

Example:
 Example 1: CNT+15:0.002:MTQ'
 Example 2: CNT+11:1:PCE'
 Example 3: CNT+ZLM:0.4:MTR'

No = Consecutive segment number
 MaxOcc = Maximum occurrence of the segment/group
 Counter = Counter of segment/group within the standard

St = Status
 EDIFACT: M=Mandatory, C=Conditional
 User specific: R=Required, O=Optional, D=Dependent,
 A=Advised, N=Not used



Counter	No	Tag	St	MaxOcc	Level	Name
0110		SG1	C	99	1	LOC
0120	12	LOC	M	1	1	PLACE/LOCATION IDENTIFICATION

		Standard	Implementation	
Tag	Name	St Format	St Format	Usage / Remark
LOC				
3227	Place/location qualifier	M an..3	M an..3	ZBO Route code (Branch code)
C517	LOCATION IDENTIFICATION	C	C	
3225	Place/location identification	C an..25	C an..25	Route code agreed upon with DSV
1131	Code list qualifier	C an..3	N	Not used
3055	Code list responsible agency, coded	C an..3	N	Not used
3224	Place/location	C an..17	N	Not used
C519	RELATED LOCATION ONE IDENTIFICATION	C	N	
3223	Related place/location one identification	C an..25	N	Not used
1131	Code list qualifier	C an..3	N	Not used
3055	Code list responsible agency, coded	C an..3	N	Not used
3222	Related place/location one	C an..70	N	Not used
C553	RELATED LOCATION TWO IDENTIFICATION	C	N	
3233	Related place/location two identification	C an..25	N	Not used
1131	Code list qualifier	C an..3	N	Not used
3055	Code list responsible agency, coded	C an..3	N	Not used
3232	Related place/location two	C an..70	N	Not used
5479	Relation, coded	C an..3	N	Not used

Remark:

Only used for special setups when customer unique routing is required. Can be used with a specific code or code list

Example:

LOC+ZBO+LAASE'

No = Consecutive segment number
 MaxOcc = Maximum occurrence of the segment/group
 Counter = Counter of segment/group within the standard

St = Status
 EDIFACT: M=Mandatory, C=Conditional
 User specific: R=Required, O=Optional, D=Dependent,
 A=Advised, N=Not used

Counter	No	Tag	St	MaxOcc	Level	Name
	0140	SG2	C	1	1	TOD-LOC
	0150	13 TOD	M	1	1	TERMS OF DELIVERY

		Standard	Implementation	
Tag	Name	St Format	St Format	Usage / Remark
TOD				
4055	Terms of delivery function, coded	C an..3	M an..3	6 Delivery condition
4215	Transport charges method of payment, coded	C an..3	N	Not used
C100	TERMS OF DELIVERY	C	R	
4053	Terms of delivery, coded	C an..3	C an..3	. Incoterms 2010 or Combiterms 2000
1131	Code list qualifier	C an..3	C an..3	ZCT Combiterms 2000
3055	Code list responsible agency, coded	C an..3	N	Not used
4052	Terms of delivery	C an..70	N	Not used
4052	Terms of delivery	C an..70	N	Not used

Remark:

This segment is required for international consignments. If Incoterms is used, see example 1. If combiterms is used, see example 2. For domestic consignments, use CPI-segment.

Example:

Example 1: TOD+6++EXW'

Example 2: TOD+6++001:ZCT'

No = Consecutive segment number
 MaxOcc = Maximum occurrence of the segment/group
 Counter = Counter of segment/group within the standard

St = Status
 EDIFACT: M=Mandatory, C=Conditional
 User specific: R=Required, O=Optional, D=Dependent,
 A=Advised, N=Not used



Counter	No	Tag	St	MaxOcc	Level	Name
0140		SG2	C	1	1	TOD-LOC
0160	14	LOC	C	1	2	PLACE/LOCATION IDENTIFICATION

		Standard	Implementation	
Tag	Name	St Format	St Format	Usage / Remark
LOC				
3227	Place/location qualifier	M an..3	M an..3	1 Place of terms of delivery
C517	LOCATION IDENTIFICATION	C	C	
3225	Place/location identification	C an..25	N	Not used
1131	Code list qualifier	C an..3	N	Not used
3055	Code list responsible agency, coded	C an..3	N	Not used
3224	Place/location	C an..17	R an..17	. Place/location
C519	RELATED LOCATION ONE IDENTIFICATION	C	N	
3223	Related place/location one identification	C an..25	N	Not used
1131	Code list qualifier	C an..3	N	Not used
3055	Code list responsible agency, coded	C an..3	N	Not used
3222	Related place/location one	C an..70	N	Not used
C553	RELATED LOCATION TWO IDENTIFICATION	C	N	
3233	Related place/location two identification	C an..25	N	Not used
1131	Code list qualifier	C an..3	N	Not used
3055	Code list responsible agency, coded	C an..3	N	Not used
3232	Related place/location two	C an..70	N	Not used
5479	Relation, coded	C an..3	N	Not used

Remark:

For international shipments SG2/LOC is mandatory

Example:

LOC+1+:::Place/location'

No = Consecutive segment number
 MaxOcc = Maximum occurrence of the segment/group
 Counter = Counter of segment/group within the standard

St = Status
 EDIFACT: M=Mandatory, C=Conditional
 User specific: R=Required, O=Optional, D=Dependent,
 A=Advised, N=Not used



Counter	No	Tag	St	MaxOcc	Level	Name
0170		SG3	M	1	1	RFF
0180	15	RFF	M	1	1	REFERENCE

Standard			Implementation	
Tag	Name	St Format	St Format	Usage / Remark
RFF				
C506	REFERENCE	M	M	
1153	Reference qualifier	M an..3	M an..5	AAS Transport document number
1154	Reference number	C an..35	R an..35	. SWEDISH SIS NUMBER*
1156	Line number	C an..6	N	Not used
4000	Reference version number	C an..35	N	Not used

Remark:

Printed on transport invoice. Can be used for Track&Trace search on DSV website (www.dsv.se)
 SIS waybillnumber are mandatory (other reference type only accepted if agreed upon with DSV EDI Support SE)
 *Must be unique, reuse is only allowed after 24 months

Example:

RFF+AAS:6781708042'

No = Consecutive segment number
 MaxOcc = Maximum occurrence of the segment/group
 Counter = Counter of segment/group within the standard

St = Status
 EDIFACT: M=Mandatory, C=Conditional
 User specific: R=Required, O=Optional, D=Dependent,
 A=Advised, N=Not used



Counter	No	Tag	St	MaxOcc	Level	Name
0170		SG3	C	9	1	RFF
0180	16	RFF	M	99	1	REFERENCE

Standard			Implementation	
Tag	Name	St Format	St Format	Usage / Remark
RFF				
C506	REFERENCE	M	M	
1153	Reference qualifier	M an..3	R an..3	AAO Consignee's shipment reference CU Consignor's shipment reference ZAD SiteID*
1154	Reference number	C an..35	R an..35	. Reference
1156	Line number	C an..6	N	Not used
4000	Reference version number	C an..35	N	Not used

Remark:

The AAO and CU reference will be printed on transport invoice and can be used for Track&Trace search on DSV website (www.dsv.se)

It's only the first occurrence of each reference type that will be forward to outbound transmissions such as invoice and status messages

*SiteID - None standard service. Only to be used upon special agreement with DSV

Example:

RFF+CU:Ordernumber '

No = Consecutive segment number
 MaxOcc = Maximum occurrence of the segment/group
 Counter = Counter of segment/group within the standard

St = Status
 EDIFACT: M=Mandatory, C=Conditional
 User specific: R=Required, O=Optional, D=Dependent,
 A=Advised, N=Not used



Counter	No	Tag	St	MaxOcc	Level	Name
	0250	SG6	C	1	1	CPI
	0260	17	CPI	M	1	CHARGE PAYMENT INSTRUCTIONS

Standard			Implementation	
Tag	Name	St Format	St Format	Usage / Remark
CPI				
C229	CHARGE CATEGORY	C	N	
5237	Charge category, coded	M an..3	N	Not used
1131	Code list qualifier	C an..3	N	Not used
3055	Code list responsible agency, coded	C an..3	N	Not used
C231 METHOD OF PAYMENT				
4215	Transport charges method of payment, coded	M an..3	N	Not used
1131	Code list qualifier	C an..3	N	Not used
3055	Code list responsible agency, coded	C an..3	N	Not used
4237	Prepaid/collect indicator, coded	C an..3	R an..3	B Third party to pay C Collect P Prepaid

Remark:

Segment is mandatory for domestic transports / optional for international transports
 CPI+++B' is only used when third party is payer (only domestic shipments) and always used together with NAD+FP, see SG10/NAD segment

Example:

CPI+++P'

No = Consecutive segment number
 MaxOcc = Maximum occurrence of the segment/group
 Counter = Counter of segment/group within the standard

St = Status
 EDIFACT: M=Mandatory, C=Conditional
 User specific: R=Required, O=Optional, D=Dependent,
 A=Advised, N=Not used



Counter	No	Tag	St	MaxOcc	Level	Name
0400		SG8	M	1	1	TDT-LOC
0410	18	TDT	M	1	1	DETAILS OF TRANSPORT

		Standard	Implementation	
Tag	Name	St Format	St Format	Usage / Remark
TDT				
8051	Transport stage qualifier	M an..3	M an..3	20 Main-carriage transport
8028	Conveyance reference number	C an..17	N	Not used
C220	MODE OF TRANSPORT	C	C	
8067	Mode of transport, coded	C an..3	R an..3	3 Road transport
8066	Mode of transport	C an..17	N	Not used
C228	TRANSPORT MEANS	C	N	
8179	Type of means of transport identification	C an..8	N	Not used
8178	Type of means of transport	C an..17	N	Not used
C040	CARRIER	C	N	
3127	Carrier identification	C an..17	N	Not used
1131	Code list qualifier	C an..3	N	Not used
3055	Code list responsible agency, coded	C an..3	N	Not used
3128	Carrier name	C an..35	N	Not used
8101	Transit direction, coded	C an..3	N	Not used
C401	EXCESS TRANSPORTATION INFORMATION	C	N	
8457	Excess transportation reason, coded	M an..3	N	Not used
8459	Excess transportation responsibility, coded	M an..3	N	Not used
7130	Customer authorization number	C an..17	N	Not used
C222	TRANSPORT IDENTIFICATION	C	N	
8213	Id of means of transport identification	C an..9	N	Not used
1131	Code list qualifier	C an..3	N	Not used
3055	Code list responsible agency, coded	C an..3	N	Not used
8212	Id of the means of transport	C an..17	N	Not used
8453	Nationality of means of transport, coded	C an..3	N	Not used

Remark:

Example:

TDT+20++3'

No = Consecutive segment number
 MaxOcc = Maximum occurrence of the segment/group
 Counter = Counter of segment/group within the standard

St = Status
 EDIFACT: M=Mandatory, C=Conditional
 User specific: R=Required, O=Optional, D=Dependent,
 A=Advised, N=Not used



Counter	No	Tag	St	MaxOcc	Level	Name
	0400	SG8	M	1	1	TDT-LOC
	0440	LOC	R	2	2	PLACE/LOCATION IDENTIFICATION

Standard			Implementation	
Tag	Name	St Format	St Format	Usage / Remark
LOC				
3227	Place/location qualifier	M an..3	M an..3	5 Place of departure 8 Place of destination
C517	LOCATION IDENTIFICATION	C	R	
3225	Place/location identification	C an..25	R an..25	. POSTALCODE . UNLOCODE
1131	Code list qualifier	C an..3	C an..3	16 Postcode directory
3055	Code list responsible agency, coded	C an..3	C an..3	6 UN/ECE (United Nations - Economic Commission for Europe)
3224	Place/location	C an..17	C an..17	CITY
C519	RELATED LOCATION ONE IDENTIFICATION	C	N	
3223	Related place/location one identification	C an..25	N	Not used
1131	Code list qualifier	C an..3	N	Not used
3055	Code list responsible agency, coded	C an..3	N	Not used
3222	Related place/location one	C an..70	N	Not used
C553	RELATED LOCATION TWO IDENTIFICATION	C	N	
3233	Related place/location two identification	C an..25	N	Not used
1131	Code list qualifier	C an..3	N	Not used
3055	Code list responsible agency, coded	C an..3	N	Not used
3232	Related place/location two	C an..70	N	Not used
5479	Relation, coded	C an..3	N	Not used

Remark:

Example:

LOC+5+20211:16::Malmö'
 LOC+8+3630:16::Taastrup'
 LOC+5+XXXXX:6' (Only to be used upon special agreement with DSV EDI Support SE and sometimes used together with a table file/EDI matrix)

No = Consecutive segment number
 MaxOcc = Maximum occurrence of the segment/group
 Counter = Counter of segment/group within the standard

St = Status
 EDIFACT: M=Mandatory, C=Conditional
 User specific: R=Required, O=Optional, D=Dependent,
 A=Advised, N=Not used



Counter	No	Tag	St	MaxOcc	Level	Name
0480		SG10	M	1	1	NAD-SG11-SG14
0490	20	NAD	M	1	1	NAME AND ADDRESS

		Standard	Implementation	
Tag	Name	St Format	St Format	Usage / Remark
NAD				
3035	Party qualifier	M an..3	M an..3	CZ Consignor
C082	PARTY IDENTIFICATION DETAILS	C	C	
3039	Party id identification	M an..17	M an..17	DSV Account number
1131	Code list qualifier	C an..3	N	Not used
3055	Code list responsible agency, coded	C an..3	R an..3	87 Assigned by carrier
C058	NAME AND ADDRESS	C	N	
3124	Name and address line	M an..35	N	Not used
3124	Name and address line	C an..35	N	Not used
3124	Name and address line	C an..35	N	Not used
3124	Name and address line	C an..35	N	Not used
3124	Name and address line	C an..35	N	Not used
C080	PARTY NAME	C	C	
3036	Party name	M an..35	M an..35	Name of party
3036	Party name	C an..35	N	Not used
3036	Party name	C an..35	N	Not used
3036	Party name	C an..35	N	Not used
3036	Party name	C an..35	N	Not used
3045	Party name format, coded	C an..3	N	Not used
C059	STREET	C	C	
3042	Street and number/P.O. Box	M an..35	M an..35	Street and number
3042	Street and number/P.O. Box	C an..35	C an..35	Street and number
3042	Street and number/P.O. Box	C an..35	N	Not used
3164	City name	C an..35	M an..35	Name of city
3229	Country sub-entity identification	C an..9	N	Not used
3251	Postcode identification	C an..9	R an..9	Postal code
3207	Country, coded	C an..3	R an..3	Country code

Remark:

Example:

NAD+CZ+12345678::87++Test Sender AB+Test street 1:Port A+Landskrona++261 24+SE'

No = Consecutive segment number
 MaxOcc = Maximum occurrence of the segment/group
 Counter = Counter of segment/group within the standard

St = Status
 EDIFACT: M=Mandatory, C=Conditional
 User specific: R=Required, O=Optional, D=Dependent,
 A=Advised, N=Not used



Counter	No	Tag	St	MaxOcc	Level	Name
0520		SG11	C	1	2	CTA-COM
0530	21	CTA	M	1	2	CONTACT INFORMATION

		Standard	Implementation	
Tag	Name	St Format	St Format	Usage / Remark
CTA				
3139	Contact function, coded	C an..3	M an..3	IC Information contact
C056	DEPARTMENT OR EMPLOYEE DETAILS	C	C	
3413	Department or employee identification	C an..17	N	Not used
3412	Department or employee	C an..35	R an..35	Name of contact

Remark:

Example:

CTA+IC+:Anders Andersson'

No = Consecutive segment number
 MaxOcc = Maximum occurrence of the segment/group
 Counter = Counter of segment/group within the standard

St = Status
 EDIFACT: M=Mandatory, C=Conditional
 User specific: R=Required, O=Optional, D=Dependent,
 A=Advised, N=Not used



Counter	No	Tag	St	MaxOcc	Level	Name
0520		SG11	C	1	2	CTA-COM
0540	22	COM	M	2	3	COMMUNICATION CONTACT

Standard			Implementation	
Tag	Name	St Format	St Format	Usage / Remark
COM				
C076	COMMUNICATION CONTACT	M	M	
3148	Communication number	M an..25	M an..70	
3155	Communication channel qualifier	M an..3	M an..3	TE Telephone EM Electronic mail

Remark:

Example:

COM+0418391000:TE'

No = Consecutive segment number
 MaxOcc = Maximum occurrence of the segment/group
 Counter = Counter of segment/group within the standard

St = Status
 EDIFACT: M=Mandatory, C=Conditional
 User specific: R=Required, O=Optional, D=Dependent,
 A=Advised, N=Not used



Counter	No	Tag	St	MaxOcc	Level	Name
0650		SG14	C	1	2	RFF
0660	23	RFF	M	1	2	REFERENCE

Standard			Implementation	
Tag	Name	St Format	St Format	Usage / Remark
RFF				
C506	REFERENCE	M	M	
1153	Reference qualifier	M an..3	M an..3	Z10 Pallet Handling System
1154	Reference number	C an..35	R an..35	Pallet Handling System Party ID (PHS ID)
1156	Line number	C an..6	N	Not used
4000	Reference version number	C an..35	N	Not used

Remark:

Only used for a specific Pallet service
 NAD+CZ must be the first NAD-segment when RFF+Z10 is used
 Note that RFF+Z10 for NAD+CZ is mapped to Pallet Handling System Party ID 2 (sender)

Example:

RFF+Z10:12345678'

No = Consecutive segment number
 MaxOcc = Maximum occurrence of the segment/group
 Counter = Counter of segment/group within the standard

St = Status
 EDIFACT: M=Mandatory, C=Conditional
 User specific: R=Required, O=Optional, D=Dependent,
 A=Advised, N=Not used



Counter	No	Tag	St	MaxOcc	Level	Name
0480		SG10	M	1	1	NAD-SG11-SG14
0490	24	NAD	M	1	1	NAME AND ADDRESS

Standard			Implementation	
Tag	Name	St Format	St Format	Usage / Remark
NAD				
3035	Party qualifier	M an..3	M an..3	CN Consignee Customer number in 3039 assigned by carrier is mandatory when CPI+++C is used (only for domestic)
C082	PARTY IDENTIFICATION DETAILS	C	C	
3039	Party id identification	M an..17	C an..17	DSV Account number
1131	Code list qualifier	C an..3	N	Not used
3055	Code list responsible agency, coded	C an..3	C an..3	87 Assigned by carrier 91 Assigned by seller or seller's agent
C058	NAME AND ADDRESS	C	N	
3124	Name and address line	M an..35	N	Not used
3124	Name and address line	C an..35	N	Not used
3124	Name and address line	C an..35	N	Not used
3124	Name and address line	C an..35	N	Not used
3124	Name and address line	C an..35	N	Not used
C080	PARTY NAME	C	C	
3036	Party name	M an..35	M an..35	Name of party
3036	Party name	C an..35	N	Not used
3036	Party name	C an..35	N	Not used
3036	Party name	C an..35	N	Not used
3036	Party name	C an..35	N	Not used
3045	Party name format, coded	C an..3	N	Not used
C059	STREET	C	C	
3042	Street and number/P.O. Box	M an..35	M an..35	Street and number
3042	Street and number/P.O. Box	C an..35	C an..35	Street and number
3042	Street and number/P.O. Box	C an..35	N	Not used
3164	City name	C an..35	R an..35	Name of city
3229	Country sub-entity identification	C an..9	N	Not used
3251	Postcode identification	C an..9	R an..9	Postal code
3207	Country, coded	C an..3	R an..3	Country code

Remark:

Example:

NAD+CN+12345678::87++Test Reciever AB+Test street 2:Port B+37100++Karlskrona+SE'

No = Consecutive segment number
 MaxOcc = Maximum occurrence of the segment/group
 Counter = Counter of segment/group within the standard

St = Status
 EDIFACT: M=Mandatory, C=Conditional
 User specific: R=Required, O=Optional, D=Dependent,
 A=Advised, N=Not used



Counter	No	Tag	St	MaxOcc	Level	Name
0520		SG11	C	1	2	CTA-COM
0530	25	CTA	M	1	2	CONTACT INFORMATION

		Standard	Implementation	
Tag	Name	St Format	St Format	Usage / Remark
CTA				
3139	Contact function, coded	C an..3	M an..3	IC Information contact
C056	DEPARTMENT OR EMPLOYEE DETAILS	C	C	
3413	Department or employee identification	C an..17	N	Not used
3412	Department or employee	C an..35	M an..35	Name of contact

Remark:

Only used for road products

Example:

CTA+IC+:Anders Andersson'

No = Consecutive segment number
 MaxOcc = Maximum occurrence of the segment/group
 Counter = Counter of segment/group within the standard

St = Status
 EDIFACT: M=Mandatory, C=Conditional
 User specific: R=Required, O=Optional, D=Dependent,
 A=Advised, N=Not used



Counter	No	Tag	St	MaxOcc	Level	Name
0520		SG11	C	1	2	CTA-COM
0540	26	COM	M	2	3	COMMUNICATION CONTACT

Standard			Implementation	
Tag	Name	St Format	St Format	Usage / Remark
COM				
C076	COMMUNICATION CONTACT	M	M	
3148	Communication number	M an..25	M an..70	
3155	Communication channel qualifier	M an..3	M an..3	TE Telephone EM Electronic mail

Remark:

Example:

COM+0418391000:TE'

No = Consecutive segment number
 MaxOcc = Maximum occurrence of the segment/group
 Counter = Counter of segment/group within the standard

St = Status
 EDIFACT: M=Mandatory, C=Conditional
 User specific: R=Required, O=Optional, D=Dependent,
 A=Advised, N=Not used



Counter	No	Tag	St	MaxOcc	Level	Name
0650		SG14	C	1	2	RFF
0660	27	RFF	M	1	2	REFERENCE

Standard			Implementation	
Tag	Name	St Format	St Format	Usage / Remark
RFF				
C506	REFERENCE	M	M	
1153	Reference qualifier	M an..3	M an..3	Z10 Pallet Handling System
1154	Reference number	C an..35	C an..35	Pallet Handling System Party ID (PHS ID)
1156	Line number	C an..6	N	Not used
4000	Reference version number	C an..35	N	Not used

Remark:

Only used for a specific Pallet service
 NAD+CZ must be the first NAD-segment when RFF+Z10 is used
 RFF+Z10 for NAD+CN is mapped to Pallet Handling System Party ID 1 (consignee)

Example:

RFF+Z10:87564321'

No = Consecutive segment number
 MaxOcc = Maximum occurrence of the segment/group
 Counter = Counter of segment/group within the standard

St = Status
 EDIFACT: M=Mandatory, C=Conditional
 User specific: R=Required, O=Optional, D=Dependent,
 A=Advised, N=Not used

Counter	No	Tag	St	MaxOcc	Level	Name
0480		SG10	M	1	1	NAD-SG11
0490	28	NAD	M	1	1	NAME AND ADDRESS

Standard			Implementation	
Tag	Name	St Format	St Format	Usage / Remark
NAD				
3035	Party qualifier	M an..3	M an..3	PW Despatch party
C082	PARTY IDENTIFICATION DETAILS	C	C	
3039	Party id identification	M an..17	M an..17	PARTYID PARTYID is not mandatory but needed if any conversions are required
1131	Code list qualifier	C an..3	N	Not used
3055	Code list responsible agency, coded	C an..3	C an..3	91 Assigned by seller or seller's agent
C058	NAME AND ADDRESS	C	N	
3124	Name and address line	M an..35	N	Not used
3124	Name and address line	C an..35	N	Not used
3124	Name and address line	C an..35	N	Not used
3124	Name and address line	C an..35	N	Not used
3124	Name and address line	C an..35	N	Not used
C080	PARTY NAME	C	C	
3036	Party name	M an..35	M an..35	Party name
3036	Party name	C an..35	N	Not used
3036	Party name	C an..35	N	Not used
3036	Party name	C an..35	N	Not used
3036	Party name	C an..35	N	Not used
3045	Party name format, coded	C an..3	N	Not used
C059	STREET	C	C	
3042	Street and number/P.O. Box	M an..35	M an..35	Street and number
3042	Street and number/P.O. Box	C an..35	C an..35	Street and number
3042	Street and number/P.O. Box	C an..35	N	Not used
3164	City name	C an..35	M an..35	Name of city
3229	Country sub-entity identification	C an..9	N	Not used
3251	Postcode identification	C an..9	M an..9	Postal code
3207	Country, coded	C an..3	M an..3	Country code

Remark:**Example:**

NAD+PW+PARTYID::91++Pickup Company AB+Pickup street:Port 3+Malmö++20211+SE'

No = Consecutive segment number
 MaxOcc = Maximum occurrence of the segment/group
 Counter = Counter of segment/group within the standard

St = Status
 EDIFACT: M=Mandatory, C=Conditional
 User specific: R=Required, O=Optional, D=Dependent,
 A=Advised, N=Not used



Counter	No	Tag	St	MaxOcc	Level	Name
0520		SG11	C	1	2	CTA-COM
0530	29	CTA	M	1	2	CONTACT INFORMATION

		Standard	Implementation	
Tag	Name	St Format	St Format	Usage / Remark
CTA				
3139	Contact function, coded	C an..3	M an..3	IC Information contact
C056	DEPARTMENT OR EMPLOYEE DETAILS	C	C	
3413	Department or employee identification	C an..17	N	Not used
3412	Department or employee	C an..35	R an..35	Name of contact

Remark:

Only used for road products

Example:

CTA+IC+:Anders Andersson'

No = Consecutive segment number
 MaxOcc = Maximum occurrence of the segment/group
 Counter = Counter of segment/group within the standard

St = Status
 EDIFACT: M=Mandatory, C=Conditional
 User specific: R=Required, O=Optional, D=Dependent,
 A=Advised, N=Not used



Counter	No	Tag	St	MaxOcc	Level	Name
0520		SG11	C	1	2	CTA-COM
0540	30	COM	M	2	3	COMMUNICATION CONTACT

Standard			Implementation	
Tag	Name	St Format	St Format	Usage / Remark
COM				
C076	COMMUNICATION CONTACT	M	M	
3148	Communication number	M an..25	M an..70	
3155	Communication channel qualifier	M an..3	M an..3	TE Telephone EM Electronic mail

Remark:

Example:

COM+0418391000:TE'

No = Consecutive segment number
 MaxOcc = Maximum occurrence of the segment/group
 Counter = Counter of segment/group within the standard

St = Status
 EDIFACT: M=Mandatory, C=Conditional
 User specific: R=Required, O=Optional, D=Dependent,
 A=Advised, N=Not used

Counter	No	Tag	St	MaxOcc	Level	Name
0480		SG10	M	1	1	NAD-SG11
0490	31	NAD	M	3	1	NAME AND ADDRESS

Standard			Implementation	
Tag	Name	St Format	St Format	Usage / Remark
NAD				
3035	Party qualifier	M an..3	M an..3	DP Delivery party NAD+DP is mandatory when NAD+CN is payer
C082	PARTY IDENTIFICATION DETAILS	C	C	
3039	Party id identification	M an..17	M an..17	PARTYID PARTYID is not mandatory but needed if any conversions are required
1131	Code list qualifier	C an..3	N	Not used
3055	Code list responsible agency, coded	C an..3	C an..3	91 Assigned by seller or seller's agent
C058 NAME AND ADDRESS				
3124	Name and address line	M an..35	N	Not used
3124	Name and address line	C an..35	N	Not used
3124	Name and address line	C an..35	N	Not used
3124	Name and address line	C an..35	N	Not used
3124	Name and address line	C an..35	N	Not used
C080 PARTY NAME				
3036	Party name	M an..35	M an..35	Name of party
3036	Party name	C an..35	N	Not used
3036	Party name	C an..35	N	Not used
3036	Party name	C an..35	N	Not used
3036	Party name	C an..35	N	Not used
3045	Party name format, coded	C an..3	N	Not used
C059 STREET				
3042	Street and number/P.O. Box	M an..35	M an..35	Street and number
3042	Street and number/P.O. Box	C an..35	C an..35	Street and number
3042	Street and number/P.O. Box	C an..35	N	Not used
3164	City name	C an..35	M an..35	Name of city
3229	Country sub-entity identification	C an..9	N	Not used
3251	Postcode identification	C an..9	M an..9	Postal code
3207	Country, coded	C an..3	M an..3	Country code

Remark:**Example:**

NAD+DP+PARTYID::91++Delivery Company AB+Delivery street 4:Port 4+341 96++Ljungby+SE'

No = Consecutive segment number
 MaxOcc = Maximum occurrence of the segment/group
 Counter = Counter of segment/group within the standard

St = Status
 EDIFACT: M=Mandatory, C=Conditional
 User specific: R=Required, O=Optional, D=Dependent,
 A=Advised, N=Not used



Counter	No	Tag	St	MaxOcc	Level	Name
0520		SG11	C	1	2	CTA-COM
0530	32	CTA	M	1	2	CONTACT INFORMATION

		Standard	Implementation	
Tag	Name	St Format	St Format	Usage / Remark
CTA				
3139	Contact function, coded	C an..3	M an..3	IC Information contact
C056	DEPARTMENT OR EMPLOYEE DETAILS	C	C	
3413	Department or employee identification	C an..17	N	Not used
3412	Department or employee	C an..35	M an..35	Name of contact

Remark:

Only used for road product

Example:

CTA+IC+:Anders Andersson'

No = Consecutive segment number
 MaxOcc = Maximum occurrence of the segment/group
 Counter = Counter of segment/group within the standard

St = Status
 EDIFACT: M=Mandatory, C=Conditional
 User specific: R=Required, O=Optional, D=Dependent,
 A=Advised, N=Not used



Counter	No	Tag	St	MaxOcc	Level	Name
0520		SG11	C	1	2	CTA-COM
0540	33	COM	M	2	3	COMMUNICATION CONTACT

Standard			Implementation	
Tag	Name	St Format	St Format	Usage / Remark
COM				
C076	COMMUNICATION CONTACT	M	M	
3148	Communication number	M an..25	M an..70	
3155	Communication channel qualifier	M an..3	M an..3	TE Telephone EM Electronic mail

Remark:

Example:

COM+0418391000:TE'

No = Consecutive segment number
 MaxOcc = Maximum occurrence of the segment/group
 Counter = Counter of segment/group within the standard

St = Status
 EDIFACT: M=Mandatory, C=Conditional
 User specific: R=Required, O=Optional, D=Dependent,
 A=Advised, N=Not used

Counter	No	Tag	St	MaxOcc	Level	Name
0480		SG10	C	1	1	NAD
0490	34	NAD	M	1	1	NAME AND ADDRESS

Standard			Implementation	
Tag	Name	St Format	St Format	Usage / Remark
NAD				
3035	Party qualifier	M an..3	M an..3	FP Freight/charges payer NAD+FP is only used when CPI+++B' is used (other payer)
C082	PARTY IDENTIFICATION DETAILS	C	C	
3039	Party id identification	M an..17	M an..17	DSV account number
1131	Code list qualifier	C an..3	N	Not used
3055	Code list responsible agency, coded	C an..3	M an..3	87 Assigned by carrier
C058	NAME AND ADDRESS	C	N	
3124	Name and address line	M an..35	N	Not used
3124	Name and address line	C an..35	N	Not used
3124	Name and address line	C an..35	N	Not used
3124	Name and address line	C an..35	N	Not used
3124	Name and address line	C an..35	N	Not used
C080	PARTY NAME	C	C	
3036	Party name	M an..35	O an..35	Name of party
3036	Party name	C an..35	N	Not used
3036	Party name	C an..35	N	Not used
3036	Party name	C an..35	N	Not used
3036	Party name	C an..35	N	Not used
3045	Party name format, coded	C an..3	N	Not used
C059	STREET	C	C	
3042	Street and number/P.O. Box	M an..35	O an..35	Street and number
3042	Street and number/P.O. Box	C an..35	O an..35	Street and number
3042	Street and number/P.O. Box	C an..35	N	Not used
3164	City name	C an..35	M O	Name of city
3229	Country sub-entity identification	C an..9	N	Not used
3251	Postcode identification	C an..9	M O	Postal code
3207	Country, coded	C an..3	M O	Country code

Remark:

NAD+FP is only used for domestic shipments and when third party is payer. This also require CPI+++B in SG6

Example:

NAD+FP+ACCOUNT ID::87++Payer Company AB+Payer street 1:Box 1+Landskrona++261 25+SE'

No = Consecutive segment number
 MaxOcc = Maximum occurrence of the segment/group
 Counter = Counter of segment/group within the standard

St = Status
 EDIFACT: M=Mandatory, C=Conditional
 User specific: R=Required, O=Optional, D=Dependent,
 A=Advised, N=Not used



Counter	No	Tag	St	MaxOcc	Level	Name
0480		SG10	O	1	1	NAD-SG11
0490	35	NAD	M	1	1	NAME AND ADDRESS

Standard			Implementation	
Tag	Name	St Format	St Format	Usage / Remark
NAD				
3035	Party qualifier	M an..3	M an..3	NI Notify party
C082	PARTY IDENTIFICATION DETAILS	C	N	
3039	Party id identification	M an..17	N	Not used
1131	Code list qualifier	C an..3	N	Not used
3055	Code list responsible agency, coded	C an..3	N	Not used
C058	NAME AND ADDRESS	C	N	
3124	Name and address line	M an..35	N	Not used
3124	Name and address line	C an..35	N	Not used
3124	Name and address line	C an..35	N	Not used
3124	Name and address line	C an..35	N	Not used
3124	Name and address line	C an..35	N	Not used
C080	PARTY NAME	C	C	
3036	Party name	M an..35	O an..35	Name of party
3036	Party name	C an..35	N	Not used
3036	Party name	C an..35	N	Not used
3036	Party name	C an..35	N	Not used
3036	Party name	C an..35	N	Not used
3045	Party name format, coded	C an..3	N	Not used
C059	STREET	C	C	
3042	Street and number/P.O. Box	M an..35	O an..35	Street and number
3042	Street and number/P.O. Box	C an..35	O an..35	Street and number
3042	Street and number/P.O. Box	C an..35	N	Not used
3164	City name	C an..35	O an..35	Name of city
3229	Country sub-entity identification	C an..9	N	Not used
3251	Postcode identification	C an..9	O an..9	Postal code
3207	Country, coded	C an..3	O an..3	Country code

Remark:

NAD+NI is only used for the Notification- and PreAdvice service (domestic) which trigger the process of the CTA and COM segment in SG11

Example:

NAD+NI+++X+X:X+X+++X+X'

No = Consecutive segment number
 MaxOcc = Maximum occurrence of the segment/group
 Counter = Counter of segment/group within the standard

St = Status
 EDIFACT: M=Mandatory, C=Conditional
 User specific: R=Required, O=Optional, D=Dependent,
 A=Advised, N=Not used

Counter	No	Tag	St	MaxOcc	Level	Name
0520		SG11	R	1	2	CTA-COM
0530	36	CTA	M	1	2	CONTACT INFORMATION

		Standard	Implementation	
Tag	Name	St Format	St Format	Usage / Remark
CTA				
3139	Contact function, coded	C an..3	M an..3	IC Information contact
C056	DEPARTMENT OR EMPLOYEE DETAILS	C	C	
3413	Department or employee identification	C an..17	N	Not used
3412	Department or employee	C an..35	R an..35	Contact Name

Remark:

Only used for Notification- and PreAdvice service

Example:

CTA+IC+:Peter Pettersson'

No = Consecutive segment number
 MaxOcc = Maximum occurrence of the segment/group
 Counter = Counter of segment/group within the standard

St = Status
 EDIFACT: M=Mandatory, C=Conditional
 User specific: R=Required, O=Optional, D=Dependent,
 A=Advised, N=Not used



Counter	No	Tag	St	MaxOcc	Level	Name
0520		SG11	R	1	2	CTA-COM
0540	37	COM	R	2	3	COMMUNICATION CONTACT

Standard			Implementation	
Tag	Name	St Format	St Format	Usage / Remark
COM				
C076	COMMUNICATION CONTACT	M	M	
3148	Communication number	M an..25	M an..70	
3155	Communication channel qualifier	M an..3	M an..3	TE Telephone

Remark:
Only used for the Notification- and PreAdvice service

Example:
COM+0418391000:TE'

No = Consecutive segment number
MaxOcc = Maximum occurrence of the segment/group
Counter = Counter of segment/group within the standard

St = Status
EDIFACT: M=Mandatory, C=Conditional
User specific: R=Required, O=Optional, D=Dependent,
A=Advised, N=Not used



Counter	No	Tag	St	MaxOcc	Level	Name
0730		SG16	C	999	1	GID-RNG-LOC-MOA-FTX-SG19-SG20-SG22-SG29
0740	38	GID	R	1	1	GOODS ITEM DETAILS

Standard			Implementation	
Tag	Name	St Format	St Format	Usage / Remark
GID				
1496	Goods item number	C n..5	R n..5	
C213	NUMBER AND TYPE OF PACKAGES	C	R	
7224	Number of packages	M n..8	M n..8	
7065	Type of packages identification	C an..7	R an..7	CT Carton Z01 Pallet (dedicated epallet service) ZP Pallet (customer specific) EP Europa Pallet HPL Half Pallet NE Unspecified package PA Parcel CR Cage BO Buttle IBC IBC container TU Tube DR Drum
				Please contact EDI Support for full package type list
1131	Code list qualifier	C an..3	N	Not used
3055	Code list responsible agency, coded	C an..3	N	Not used
7064	Type of packages	C an..35	N	Not used
C213	NUMBER AND TYPE OF PACKAGES	C	N	
7224	Number of packages	M n..8	N	Not used
7065	Type of packages identification	C an..7	N	Not used
1131	Code list qualifier	C an..3	N	Not used
3055	Code list responsible agency, coded	C an..3	N	Not used
7064	Type of packages	C an..35	N	Not used
C213	NUMBER AND TYPE OF PACKAGES	C	N	
7224	Number of packages	M n..8	N	Not used
7065	Type of packages identification	C an..7	N	Not used
1131	Code list qualifier	C an..3	N	Not used
3055	Code list responsible agency, coded	C an..3	N	Not used
7064	Type of packages	C an..35	N	Not used

Remark:

Example:

GID+1+1:PA'

No = Consecutive segment number
 MaxOcc = Maximum occurrence of the segment/group
 Counter = Counter of segment/group within the standard

St = Status
 EDIFACT: M=Mandatory, C=Conditional
 User specific: R=Required, O=Optional, D=Dependent,
 A=Advised, N=Not used



Counter	No	Tag	St	MaxOcc	Level	Name
	0730	SG16	C	999	1	GID-RNG-LOC-MOA-FTX-SG19-SG20-SG22-SG29
	0770	RNG	C	1	2	RANGE DETAILS

		Standard	Implementation	
Tag	Name	St Format	St Format	Usage / Remark
RNG				
6167	Range type qualifier	M an..3	M an..3	1 Allowance range
C280	RANGE	C	R	
6411	Measure unit qualifier	M an..3	M an..3	CEL Degree Celsius
6162	Range minimum	C n..18	R n..18	. MIN
6152	Range maximum	C n..18	R n..18	. MAX

Remark:

Only used for road products and with following remarks:

1. See subservice "Frost sensitive goods", default value is "RNG+1+CEL:0:99"
2. See subservice "Temperature Goods", please use a range with min and max degree, see examples:
 Heated: RNG+1+CEL:0:99'
 Cooled: RNG+1+CEL:-99:0'

Example:

RNG+1+CEL:5:10'

No = Consecutive segment number
 MaxOcc = Maximum occurrence of the segment/group
 Counter = Counter of segment/group within the standard

St = Status
 EDIFACT: M=Mandatory, C=Conditional
 User specific: R=Required, O=Optional, D=Dependent,
 A=Advised, N=Not used



Counter	No	Tag	St	MaxOcc	Level	Name
	0730	SG16	C	999	1	GID-RNG-LOC-MOA-FTX-SG19-SG20-SG22-SG29
	0790	LOC	C	1	2	PLACE/LOCATION IDENTIFICATION

		Standard	Implementation	
Tag	Name	St Format	St Format	Usage / Remark
LOC				
3227	Place/location qualifier	M an..3	M an..3	27 Country of origin
C517	LOCATION IDENTIFICATION	C	C	
3225	Place/location identification	C an..25	R an..25	. Country code
1131	Code list qualifier	C an..3	R an..3	162 Country
3055	Code list responsible agency, coded	C an..3	N	Not used
3224	Place/location	C an..17	N	Not used
C519	RELATED LOCATION ONE IDENTIFICATION	C	N	
3223	Related place/location one identification	C an..25	N	Not used
1131	Code list qualifier	C an..3	N	Not used
3055	Code list responsible agency, coded	C an..3	N	Not used
3222	Related place/location one	C an..70	N	Not used
C553	RELATED LOCATION TWO IDENTIFICATION	C	N	
3233	Related place/location two identification	C an..25	N	Not used
1131	Code list qualifier	C an..3	N	Not used
3055	Code list responsible agency, coded	C an..3	N	Not used
3232	Related place/location two	C an..70	N	Not used
5479	Relation, coded	C an..3	N	Not used

Remark:

For customs purpose only (when relevant)

Example:

LOC+27+SE:162'

No = Consecutive segment number
 MaxOcc = Maximum occurrence of the segment/group
 Counter = Counter of segment/group within the standard

St = Status
 EDIFACT: M=Mandatory, C=Conditional
 User specific: R=Required, O=Optional, D=Dependent,
 A=Advised, N=Not used



Counter	No	Tag	St	MaxOcc	Level	Name
0730		SG16	C	999	1	GID-RNG-LOC-MOA-FTX-SG19-SG20-SG22-SG29
0800	41	MOA	C	1	2	MONETARY AMOUNT

Standard			Implementation	
Tag	Name	St Format	St Format	Usage / Remark
MOA				
C516	MONETARY AMOUNT	M	M	
5025	Monetary amount type qualifier	M an..3	M an..3	123 Statistical value
5004	Monetary amount	C n..18	R n..18	. Goods value
6345	Currency, coded	C an..3	R an..3	CUR
6343	Currency qualifier	C an..3	N	Not used
4405	Status, coded	C an..3	N	Not used

Remark:

For customs purpose only (when relevant)

Example:

MOA+123:550:SEK'

No = Consecutive segment number
 MaxOcc = Maximum occurrence of the segment/group
 Counter = Counter of segment/group within the standard

St = Status
 EDIFACT: M=Mandatory, C=Conditional
 User specific: R=Required, O=Optional, D=Dependent,
 A=Advised, N=Not used



Counter	No	Tag	St	MaxOcc	Level	Name
	0730	SG16	C	999	1	GID-RNG-LOC-MOA-FTX-SG19-SG20-SG22-SG29
	0820 42	FTX	R	1	2	FREE TEXT

Standard			Implementation	
Tag	Name	St Format	St Format	Usage / Remark
FTX				
4451	Text subject qualifier	M an..3	M an..3	AAA Goods description
4453	Text function, coded	C an..3	N	Not used
C107	TEXT REFERENCE	C	N	
4441	Free text, coded	M an..3	M an..3	
1131	Code list qualifier	C an..3	N	Not used
3055	Code list responsible agency, coded	C an..3	N	Not used
C108 TEXT LITERAL				
4440	Free text	M an..70	M an..70	. Goods description
4440	Free text	C an..70	N	Not used
4440	Free text	C an..70	N	Not used
4440	Free text	C an..70	N	Not used
4440	Free text	C an..70	N	Not used
3453	Language, coded	C an..3	N	Not used

Remark:

Example:

FTX+AAA+++Contents'

No = Consecutive segment number
 MaxOcc = Maximum occurrence of the segment/group
 Counter = Counter of segment/group within the standard

St = Status
 EDIFACT: M=Mandatory, C=Conditional
 User specific: R=Required, O=Optional, D=Dependent,
 A=Advised, N=Not used



Counter	No	Tag	St	MaxOcc	Level	Name
	0890	SG19	R	4	2	MEA
	0900	MEA	M	4	2	MEASUREMENTS

Standard			Implementation	
Tag	Name	St Format	St Format	Usage / Remark
MEA				
6311	Measurement application qualifier	M an..3	M an..3	LMT Loading meters VOL Volume WT Weights
C502	MEASUREMENT DETAILS	C	C	
6313	Measurement dimension, coded	C an..3	R an..3	G Gross weight N Actual net weight Net weight only used for customs declaration
6321	Measurement significance, coded	C an..3	N	Not used
6155	Measurement attribute, coded	C an..3	N	Not used
C174	VALUE/RANGE	C	R	
6411	Measure unit qualifier	M an..3	M an..3	KGM Kilogram KGM is always mandatory MTQ Cubic meter MTR Meter
6314	Measurement value	C n..18	R n..18	. VOLUME Max 3 decimals . WEIGHT Max 3 decimals allowed but rounded up to nearest kg . LOADINGMETER Max 3 decimals allowed but 1 recommended
6162	Range minimum	C n..18	N	Not used
6152	Range maximum	C n..18	N	Not used
7383	Surface/layer indicator, coded	C an..3	N	Not used

Remark:

Gross weight is mandatory, other values conditional
 Special note regarding loading metre. The round up is done per GID group (goods row) why the summary of LDM values can differ if multiple GID-groups are used together with more decimals than 1. If multiple GID-groups (goods rows) are used we recommend that the total of loading metre is set in the first GID-group.

Example:

MEA+WT+G+KGM:100'
 MEA+VOL++MTQ:2'
 MEA+LMT++MTR:2'

No = Consecutive segment number
 MaxOcc = Maximum occurrence of the segment/group
 Counter = Counter of segment/group within the standard

St = Status
 EDIFACT: M=Mandatory, C=Conditional
 User specific: R=Required, O=Optional, D=Dependent,
 A=Advised, N=Not used



Counter	No	Tag	St	MaxOcc	Level	Name
0920		SG20	C	1	2	DIM
0930	44	DIM	M	1	2	DIMENSIONS

		Standard	Implementation	
Tag	Name	St Format	St Format	Usage / Remark
DIM				
6145	Dimension qualifier	M an..3	M an..3	1 Gross dimensions
C211	DIMENSIONS	M	M	
6411	Measure unit qualifier	M an..3	M an..3	MTR Meter
6168	Length dimension	C n..15	R n..15	. Length
6140	Width dimension	C n..15	R n..15	. Width
6008	Height dimension	C n..15	R n..15	. Height

Remark:

Example:

DIM+1+MTR:1.2:0.8:1.0'

No = Consecutive segment number
 MaxOcc = Maximum occurrence of the segment/group
 Counter = Counter of segment/group within the standard

St = Status
 EDIFACT: M=Mandatory, C=Conditional
 User specific: R=Required, O=Optional, D=Dependent,
 A=Advised, N=Not used



Counter	No	Tag	St	MaxOcc	Level	Name
0980		SG22	C	9	2	PCI
0990	45	PCI	M	1	2	PACKAGE IDENTIFICATION

Standard			Implementation	
Tag	Name	St Format	St Format	Usage / Remark
PCI				
4233	Marking instructions, coded	C an..3	M an..3	17 Seller's instructions 18 Carrier's instructions 24 Shipper assigned
C210	MARKS & LABELS	C	R	
7102	Shipping marks	M an..35	M an..35	. PCI PACKAGE ID
7102	Shipping marks	C an..35	C an..35	
7102	Shipping marks	C an..35	C an..35	
7102	Shipping marks	C an..35	C an..35	
7102	Shipping marks	C an..35	C an..35	
7102	Shipping marks	C an..35	C an..35	
7102	Shipping marks	C an..35	C an..35	
7102	Shipping marks	C an..35	C an..35	
7102	Shipping marks	C an..35	C an..35	
8275	Container/package status, coded	C an..3	N	Not used

Remark:

SSCC is standard for DSV production. Contact GS1 organization for more information, see www.gs1.com
 If PCI+24 is used together with customer unique number the system support are affected with less functionality
 If PCI+17 is used, we only process the first 7102 element. Note that this code is used for other purposes. Contact EDI Support SE for details

Example:

PCI+17+X:X:X:X:X:X:X:X:X'
 PCI+18+373999991234567899'
 PCI+24+123456TEST'

No = Consecutive segment number
 MaxOcc = Maximum occurrence of the segment/group
 Counter = Counter of segment/group within the standard

St = Status
 EDIFACT: M=Mandatory, C=Conditional
 User specific: R=Required, O=Optional, D=Dependent,
 A=Advised, N=Not used



Counter	No	Tag	St	MaxOcc	Level	Name
1230		SG29	C	1	2	DGS-FTX
1240	46	DGS	M	1	2	DANGEROUS GOODS

Standard			Implementation	
Tag	Name	St Format	St Format	Usage / Remark
DGS				
8273	Dangerous goods regulations, coded	C an..3	R an..3	ADR European agreement regarding the total carriage of ICA IATA ICAO IMD IMO IMDG code
C205	HAZARD CODE	C	C	
8351	Hazard code identification	M an..7	M an..7	. Hazard code identification (Class)
8078	Hazard substance/item/page number	C an..7	C an..7	. Hazard substance/item/page number
8092	Hazard code version number	C an..10	N	Not used
C234	UNDG INFORMATION	C	R	
7124	UNDG number	C n4	R n4	. UNDG number
7088	Dangerous goods flashpoint	C an..8	C an..8	. Dangerous goods flashpoint
C223	DANGEROUS GOODS SHIPMENT FLASHPOINT	C	N	
7106	Shipment flashpoint	C n3	N	Not used
6411	Measure unit qualifier	C an..3	N	Not used
8339	Packing group, coded	C an..3	C an..3	I Great danger II Medium danger III Minor danger
8364	EMS number	C an..6	N	Not used
8410	MFAG	C an..4	N	Not used
8126	Trem card number	C an..10	N	Not used
C235	HAZARD IDENTIFICATION	C	N	
8158	Hazard identification number, upper part	C an..4	N	Not used
8186	Substance identification number, lower part	C an4	N	Not used
C236	DANGEROUS GOODS LABEL	C	N	
8246	Dangerous goods label marking	C an..4	N	Not used
8246	Dangerous goods label marking	C an..4	N	Not used
8246	Dangerous goods label marking	C an..4	N	Not used
8255	Packing instruction, coded	C an..3	N	Not used
8325	Category of means of transport, coded	C an..3	N	Not used
8211	Permission for transport, coded	C an..3	N	Not used

Remark:

Example:

DGS+ADR+X : X+XXXX : X++1 '

No = Consecutive segment number
 MaxOcc = Maximum occurrence of the segment/group
 Counter = Counter of segment/group within the standard

St = Status
 EDIFACT: M=Mandatory, C=Conditional
 User specific: R=Required, O=Optional, D=Dependent,
 A=Advised, N=Not used



Counter	No	Tag	St	MaxOcc	Level	Name
1230		SG29	C	1	2	DGS-FTX
1250	47	FTX	R	1	3	FREE TEXT

Standard			Implementation	
Tag	Name	St Format	St Format	Usage / Remark
FTX				
4451	Text subject qualifier	M an..3	M an..3	AAD Dangerous goods, technical name
4453	Text function, coded	C an..3	N	Not used
C107	TEXT REFERENCE	C	N	
4441	Free text, coded	M an..3	N	Not used
1131	Code list qualifier	C an..3	N	Not used
3055	Code list responsible agency, coded	C an..3	N	Not used
C108 TEXT LITERAL				
4440	Free text	M an..70	M an..70	. Technical name of the dangerous goods
4440	Free text	C an..70	N	Not used
4440	Free text	C an..70	N	Not used
4440	Free text	C an..70	N	Not used
4440	Free text	C an..70	N	Not used
3453	Language, coded	C an..3	N	Not used

Remark:

Example:

FTX+AAD+++Technical name'

No = Consecutive segment number
 MaxOcc = Maximum occurrence of the segment/group
 Counter = Counter of segment/group within the standard

St = Status
 EDIFACT: M=Mandatory, C=Conditional
 User specific: R=Required, O=Optional, D=Dependent,
 A=Advised, N=Not used



Counter	No	Tag	St	MaxOcc	Level	Name
1370		SG34	C	1	1	EQD-EQN
1380	48	EQD	M	1	1	EQUIPMENT DETAILS

Standard			Implementation	
Tag	Name	St Format	St Format	Usage / Remark
EQD				
8053	Equipment qualifier	M an..3	M an..3	EFP Exchangeable EUR flat pallet
C237	EQUIPMENT IDENTIFICATION	C	N	
8260	Equipment identification number	C an..17	N	Not used
1131	Code list qualifier	C an..3	N	Not used
3055	Code list responsible agency, coded	C an..3	N	Not used
C224	EQUIPMENT SIZE AND TYPE	C	N	
8155	Equipment size and type identification	C an..4	N	Not used
1131	Code list qualifier	C an..3	N	Not used
3055	Code list responsible agency, coded	C an..3	N	Not used
8154	Equipment size and type	C an..35	N	Not used
8077	Equipment supplier, coded	C an..3	N	Not used
8249	Equipment status, coded	C an..3	N	Not used
8169	Full/empty indicator, coded	C an..3	N	Not used

Remark:
Only used when exchange pallet service is used (only domestic shipments)

Example:
EQD+EFP'

No = Consecutive segment number
MaxOcc = Maximum occurrence of the segment/group
Counter = Counter of segment/group within the standard

St = Status
EDIFACT: M=Mandatory, C=Conditional
User specific: R=Required, O=Optional, D=Dependent,
A=Advised, N=Not used



Counter	No	Tag	St	MaxOcc	Level	Name
1370		SG34	C	1	1	EQD-EQN
1390	49	EQN	R	1	2	NUMBER OF UNITS

Standard			Implementation	
Tag	Name	St Format	St Format	Usage / Remark
EQN				
C523	NUMBER OF UNIT DETAILS	M	M	
6350	Number of units	C n..15	R n..15	. Amount of exchangeable pallets
6353	Number of units qualifier	C an..3	N	Not used

Remark:
Only used when exchange pallet service is used (only domestic shipments)

Example:
EQN+1'

No = Consecutive segment number
MaxOcc = Maximum occurrence of the segment/group
Counter = Counter of segment/group within the standard

St = Status
EDIFACT: M=Mandatory, C=Conditional
User specific: R=Required, O=Optional, D=Dependent,
A=Advised, N=Not used



Counter	No	Tag	St	MaxOcc	Level	Name
---------	----	-----	----	--------	-------	------

1590	50	UNT	M	1	0	MESSAGE TRAILER
------	----	------------	---	---	---	-----------------

Standard			Implementation	
Tag	Name	St Format	St Format	Usage / Remark
UNT				
0074	Number of segments in a message	M n..6	M n..6	
0062	Message reference number	M an..14	M an..14	Reference of message

Remark:

Example:

UNT+37+MSG1 '

No = Consecutive segment number
 MaxOcc = Maximum occurrence of the segment/group
 Counter = Counter of segment/group within the standard

St = Status
 EDIFACT: M=Mandatory, C=Conditional
 User specific: R=Required, O=Optional, D=Dependent,
 A=Advised, N=Not used



Counter	No	Tag	St	MaxOcc	Level	Name
0000	51	UNZ	M	1	0	INTERCHANGE TRAILER

Standard			Implementation	
Tag	Name	St Format	St Format	Usage / Remark
UNZ				
0036	Interchange control count	M n..6	M n..6	
0020	Interchange control reference	M an..14	M an..14	

Remark:

Example:

UNZ+1+123456'

No = Consecutive segment number
 MaxOcc = Maximum occurrence of the segment/group
 Counter = Counter of segment/group within the standard

St = Status
 EDIFACT: M=Mandatory, C=Conditional
 User specific: R=Required, O=Optional, D=Dependent,
 A=Advised, N=Not used